

Rotary Sander
American 12
Operator's Manual

READ THIS BOOK

This book has important information for the use and safe operation of this machine. Failure to read this book prior to operating or attempting any service or maintenance procedure to your American Sanders machine could result in injury to you or to other personnel; damage to the machine or to other property could occur as well. You must have training in the operation of this machine before using it. If your operator(s) cannot read this manual, have it explained fully before attempting to operate this machine.

All directions given in this book are as seen from the operator's position at the rear of the machine.

Contents

Operator Safety Instructions.....	2
Introduction and Machine Specifications.....	6
230V Electrical Connection Instructions.....	7
How to Transport the Machine.....	8
Machine Set-Up.....	9
How to Operate the Machine.....	10
Sanding Cuts and Sandpaper.....	13
Sander Adjustment Procedures.....	13
Routine Maintenance.....	15
Troubleshooting.....	16

SECTION II - Parts and Service Manual

Handle Assy [Models 07108A, 07109A, 07204A].....	18-19
Handle Assy [Model 07001A].....	20-21
Handle Assy [Model 07120A].....	22-23
Motor Assy [Model 07001A].....	24
Motor Assy [Models 07108A, 07109A, 07204A].....	25
Motor Assy [Model 07120A].....	26
Drum Assy.....	27
Dust Control Assy.....	28-29
Base Assy	30-31
Base Assy [Models 07044C, 07049C].....	32-33
Belt Guard Assy [Models 07108A, 07109A, 07204A].....	34
Belt Guard [Model 07001A].....	35
Belt Guard [Model 07120A].....	36
Accessories.....	37
Wiring Diagrams.....	38-39
Chatter-Wave Preventio.....	40-41

WARNING!

The Products sold with this Manual contain or may contain chemicals that are known to certain governments (such as the State of California, as identified in its Proposition 65 Regulatory Warning Law) to cause cancer, birth defects or other reproductive harm. In certain locations (including the State of California) purchasers of these Products that place them in service at an employment job site or a publicly accessible space are required by regulation to make certain notices, warnings or disclosures regarding the chemicals that are or may be contained in the Products at or about such work sites. It is the purchaser's responsibility to know the content of, and to comply with, any laws and regulations relating to the use of these Products in such environments. The Manufacturer disclaims any responsibility to advise purchasers of any specific requirements that may be applicable to the use of the Products in such environments.

*****This product is intended for commercial use only*****















Operator Safety Instructions

In this Operation Manual you will find three statements that you must read and observe to ensure safe operation of this machine.

DANGER means: Severe bodily injury or death can occur to you or other personnel if the **DANGER** statements found on this machine or in this Operation Manual are ignored or are not adhered to. Read and observe all **DANGER** statements found in this Operation Manual and on your machine.

WARNING means: Injury can occur to you or to other personnel if the **WARNING** statements found on your machine or in the Operation Manual are ignored or are not adhered to. Read and observe all **WARNING** statements found in this Operation Manual and on your machine.

CAUTION means: Damage can occur to the machine or to other property if the **CAUTION** statements found on your machine or in this Operation Manual are ignored or are not adhered to. Read and observe all **CAUTION** statements found in this Operation Manual and on your machine.

-  **DANGER:** Failure to read the Owner's Manual prior to operating or servicing your American Sanders machine could result in injury to you or to other personnel; damage to the machine or to other property could occur as well. You must have training in the operation of this machine before using it. If you or your operator(s) cannot read English, have this manual explained fully before attempting to operate this machine. 
-  **DANGER:**  A. Sanding/finishing wood floors can create an explosive or combustible environment. Do not operate this machine around solvents, thinners, alcohol, fuels, floor finishes, wood dust or any other flammable materials. Cigarette lighters, pilot lights, electrical sparks and all other sources of ignition should be extinguished or avoided. Keep work area well ventilated.
B. Dust generated from sanding wood floors can spontaneously ignite or explode. Promptly dispose of any sanding dust in a metal container clear of any combustibles. Do not dispose in a fire.
-  **DANGER:**  A. Electrocutation could occur if the machine is being serviced while the machine is connected to a power source. Disconnect the power supply before servicing.
B. Electrocutation or fire could occur if the machine is being operated with a damaged power cord. Keep the power cord clear of the pad. Always lift the cord over the machine. Do not move the machine by the power cord.
C. Shock hazard. Do not use the machine if it has been rained on or sprayed with water.
-  **DANGER:**  To avoid injury keep hands, feet, and loose clothing away from all moving parts on the machine. Disconnect the power cord before replacing the pad, changing the abrasive, or when servicing. Do not operate the machine unless all guards are in place. Never leave the machine unattended while connected to a power source.
-  **WARNING:**  Injury can occur if protective clothing or equipment is not used while sanding. Always wear safety goggles, protective clothing, and dust mask while sanding.
-  **WARNING:**  This sander is not to be used on pressure treated wood. Some pressure treated woods contain arsenic and sanding pressure treated wood produces hazardous dust. Inhaling hazardous dust from pressure treated wood can cause serious injury or death. Sanding pressure treated wood decks or uneven surfaces can damage the sander which is not covered under warranty or damage waiver.
-  **WARNING:** Any alterations or modifications of this machine could result in damage to the machine or injury to the operator or other bystanders. Alterations or modifications not authorized by the manufacturer voids any and all warranties and liabilities.
-  **WARNING:** Risk of explosion. Floor sanding can result in an explosive mixture of fine dust and air. Use floor sanding machine only in a well-ventilated area free from any flame or match.

General Power Tool Safety Warnings

WARNING: Read all safety warnings and instructions. Failure to follow warnings and instructions may result in electric shock, fire and or serious injury.

Save all warnings and instructions for future use.

The term "power tool" in the warnings refers to your main-operated (corded) power tool or battery operated (cordless) power tool.

1) Work area safety

- Keep work area clean and well lit.** Clutter or dark areas invite accidents.
- Do not operate power tools in explosive atmospheres, such as in the presence of flammable liquids, gasses, or dust.** Power tools create sparks which may ignite the dust or fumes.
- Keep children and bystanders away while operating a power tool.** Distractions can cause you to lose control.

2) Electrical safety

- Power tool plugs must match the outlet. Never modify the plug in any way. Do not use any adapter plugs with earthed (grounded) power tools.** Unmodified plugs and matching outlets will reduce risk of electric shock.
- Avoid body contact with earthed or grounded surfaces such as pipes, radiators, ranges, and refrigerators.** There is an increased risk of electric shock if your body is earthed or grounded.
- Do not expose power tools to rain or wet conditions.** Water entering a power tool will increase the risk of electric shock.
- Do not abuse the cord. Never use the cord for carrying, pulling or unplugging the power tool. Keep cord away from heat, oil, sharp edges or moving parts.** Damaged or entangled cords increase the risk of electric shock.
- When operating a power tool outdoors, use an extension cord suitable for outdoor use.** Use of cord suitable for outdoor use reduces the risk of electric shock.

- f) **If operating a power tool in a damp location is unavoidable, use a residual current device (RCD) or ground fault circuit interrupter (GFCI) protected supply.** Use of a RCD or GFCI reduces the risk of electric shock.

3) Personal safety

- a) **Stay alert, watch what you are doing and use common sense when operating a power tool. Do not use a power tool while you are tired or under the influence of drugs, alcohol, or medication.** A moment of inattention while operating power tools may result in serious personal injury.
- b) **Use personal protective equipment. Always wear eye protection.** Protective equipment such as dust mask, non-skid safety shoes, hard hat, or hearing protection used for appropriate conditions will reduce personal injury.
- c) **Prevent unintentional starting. Ensure switch is in off-position before connecting to power source and/or battery pack, picking up, or carrying the tool.** Carrying power tools with your finger on the switch or energizing power tools that have the switch on invites accidents.
- d) **Remove any adjustment wrench or key before turning the power tool on.** A wrench or key left attached to a rotating part of the power tool may result in personal injury.
- e) **Do not overreach. Keep proper footing and balance at all times.** This enables better control of the power tool in unexpected situations.
- f) **Dress properly. Do not wear loose clothing or jewelry. Keep your hair, clothing and gloves away from moving parts.** Loose clothes, jewelry, or long hair can be caught in moving parts.
- g) **If devices are provided for the connection of dust extraction and collection facilities, ensure these are connected and properly used.** Use of dust collection can reduce dust related hazards. It is recommendation that the tool always be supplied via a residual current device with a rated residual current of 30mA or less.

4) Power tool use and care

- a) **Do not force the power tool. Use the correct power tool for your application.** The correct power tool will do the job better and safer at the rate for which it was designed.
- b) **Do not use the power tool if the switch does not turn it on and off.** Any power tool that cannot be controlled with the switch is dangerous and must be repaired.
- c) **Disconnect the plug from the power source and/or the battery pack from the power tool before making any adjustments, changing accessories or storing power tools.** Such preventative safety measures reduce the risk of starting the power tool accidentally.
- d) **Store idle power tools out of the reach of children and do not allow persons unfamiliar with the power tool or these instructions to operate the power tool.** Power tools are dangerous in the hands of untrained users.
- e) **Maintain power tools. Check for misalignment or binding of moving parts, breakage of parts and any other condition that may affect the power tool's operation. If damaged, have the power tool repaired before use.** Many accidents are caused by poorly maintained power tools.
- f) **Keep cutting tools sharp and clean.** Properly maintained cutting tools with sharp cutting edges are less likely to bind and are easier to control.
- g) **Use the power tool, accessories and tool bits ect. in accordance with these instructions, taking into account the working conditions and the work to be performed.** Use of the power tool for operations different from those intended could result in a hazardous situation.

5) Service

- a) **Have the power tool serviced by a qualified repair person using only identical replacement parts.** This will ensure that the safety of the power tool is maintained. If the supply cord is damaged, it must be replaced by the manufacturer, its service agent or similarly qualified persons in order to avoid a hazard.

Safety Warnings For Sanding Operations

1. This power tool is intended to function as a sander. Read all safety warnings, instructions and specifications provided with this power tool. Failure to follow all instructions listed below may result in electric shock, fire, or personal injury.
2. Operations such as grinding, wire brushing, polishing or cutting-off, are not recommended to be performed with this power tool. Operations for which the tool was not designed may create a hazard and cause personal injury.
3. Do not use accessories which are not specifically designed and recommended by the tool manufacturer. Just because the accessory can be attached to your power tool, it does not assure safe operation.
4. The rated speed of the accessory must be at least equal to the maximum speed marked on the power tool. Accessories running faster than their rated speed can break and fly apart.
5. The outside diameter and thickness of your accessory must be within the capacity rating of your power tool. Incorrectly sized accessories cannot be adequately guard or controlled.
6. The arbor size of wheels, flanges, backing pads or any other accessory must fit the spindle of the power tool. Accessories with arbor holes that do not match the mounting hardware of the power tool will run out of balance, vibrate excessively and may cause loss of control.
7. Do not use damaged accessory. Before each use inspect the accessory such as abrasive wheel for chips or cracks, backing pad for cracks, tear or excess wear, wire brush for loose or cracked wires. If power tool or accessory is dropped, inspect for damage or install an undamaged accessory. After inspecting or installing an accessory, position yourself or bystanders away from the plane of the rotating accessory and run the power tool at maximum no-load speed for one minute. Damaged accessories will normally break apart during this time.

8. Wear personal protective equipment. Depending on application, use face shield, safety goggles or safety glasses. As appropriate, wear dust mask, hearing protectors, gloves and workshop apron capable of stopping flying debris generated by various operations. The eye protection must be capable of stopping flying debris generated by various operations. The dust mask or respirator must be capable of filtering particles generated by your operations. Prolonged exposure to high intensity noise may cause hearing loss.
9. Keep bystanders a safe distance away from work area. Anyone entering the work area must wear personal protective equipment. Fragments of work piece or a broken accessory may fly away and cause injury beyond immediate area of operation.
10. Hold power tool by gripping insulated surfaces (handle) only, when performing an operation where the cutting accessory may contact hidden wiring or its own cord. Cutting accessory contacting a "live" wire may make exposed metal parts of the power tool "live" and shock the operator.
11. Position the cord clear of the spinning accessory. If you lose control, the cord may be cut or snagged and your arm or hand may be pulled into the spinning accessory.
12. Never lay the power tool down until the accessory has come to a complete stop. The spinning accessory may grab the surface and pull the power tool out of your control.
13. Do not run the power tool while carrying it at your side. Accidental contact with the spinning accessory could snag your clothing, pulling the accessory into your body.
14. Regularly clean the power tools air vents. The motor's fan will draw the dust inside the housing and excessive accumulation may cause electrical hazards.
15. Do not operate the power tool near flammable materials. Sparks could ignite these materials.
16. Do not use excessively oversized sanding disc paper. Follow manufacturer's recommendations when selecting sanding paper. Larger sanding paper extending beyond the sanding pad presents a laceration hazard and may cause snagging, tearing of the disc or kickback.
17. Risk of explosion. Floor sanding can result in an explosive mixture of fine dust and air. Use floor sanding machine only in a well-ventilated area free from any flame or match.

Kickback and Related Warnings

Kickback is a sudden reaction to a pinched or snagged rotating wheel, backing pad, brush or any other accessory. Pinching or snagging causes rapid stalling of the rotating backing pad which in turn causes uncontrolled power tool to be forced in the opposite direction of the backing pad's rotation at the point of the binding.

For example, if an abrasive wheel is snagged or pinched by the work piece, the edge of the wheel that is entering into the pinch point can dig into the surface of the material causing the wheel to climb out or kick out. The wheel may either jump toward or away from the operator, depending on direction of the wheel's movement at the point of pinching. Abrasive wheels may also break under these conditions.

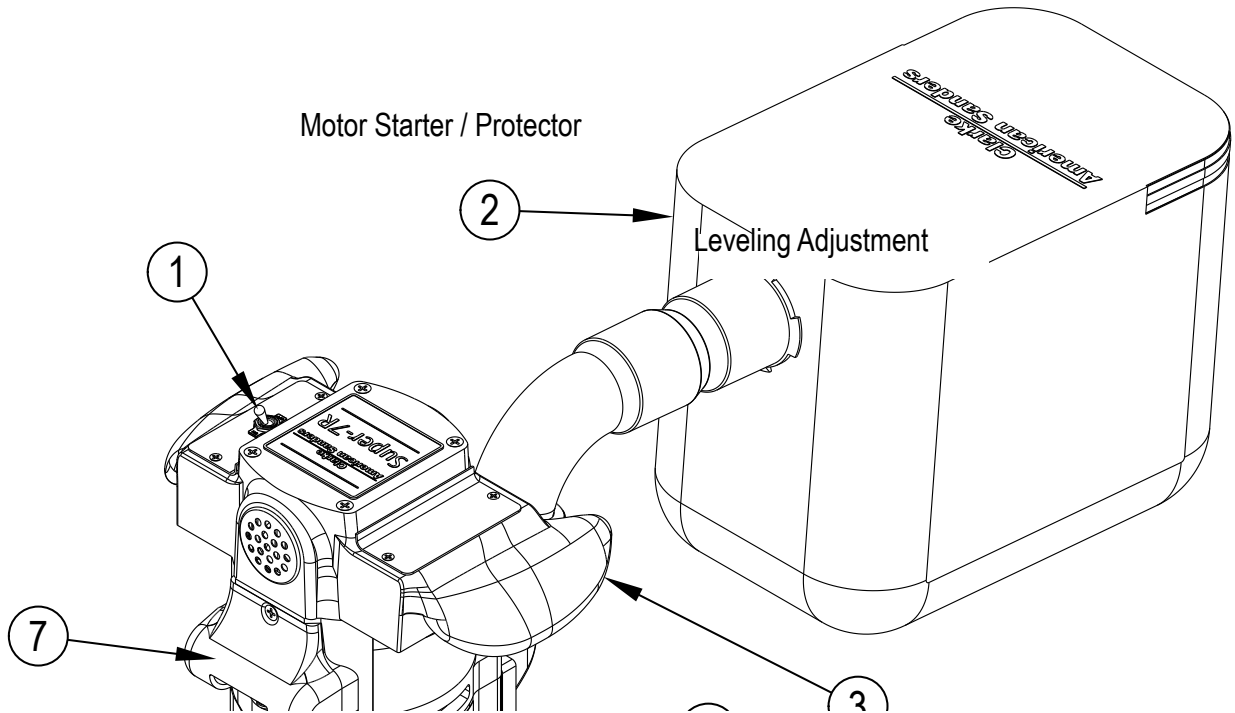
Kickback is the result of power tool misuse and incorrect operating procedures or conditions and can be avoided by taking proper precautions as given below.

1. Maintain a firm grip on the power tool and position your body and arms to allow you to resist kickback forces. Always use auxiliary handles, if provided for maximum control over kickback or torque reactions during start up. The operator can control torque reactions or kickback forces, if proper precautions are taken.
2. Never place your hand near the rotating accessory. Accessory may kickback over your hand.
3. Do not position your body in the area where power tool will move if kickback occurs. Kickback will propel the tool in the direction opposite to the wheel's movement at the point of the snagging.
4. Use special care when working corners, sharp edges etc. Avoid bouncing and snagging the accessory. Corners, sharp edges or bouncing have a tendency to snag the rotating accessory and cause loss of control or kickback.

Additional Rules For Safe Operation

1. Empty the dust bag or dust collection receiver frequently. Do not leave residue in dust bag or dust collection receiver unattended. Always empty in a non-combustible metal container. Sanding wood or varnish produces dust that can self ignite and cause injury or damage. Follow this precaution for storage.
2. Set all exposed nails. Sweep loose abrasive away from work area. Do not strike metal pipes, ect., with sanding paper. Striking metal or abrasive particles with sanding paper produces sparks that could ignite the sanding dust which can cause injury or damage.
3. Do not operate a partially assemble power tool. Keep all adjustments within manufacturer's specifications. Keep all fasteners tight. Operating a partially assembled power tool could result in injury to the operator or bystander and could cause damage to the equipment or surroundings.
4. Do not attempt to change the sanding paper while the power tool is running. The sanding pad can snag clothing and cause injury to limbs and moving sanding paper can cause abrasions.
5. The power tool should only be used on an electrical system (mains) that is rated for the electrical requirements of the power tool as shown on the nameplate. Use only on an earthing (grounded) system. Do not service the power tool if it is energized or connected to an electrical circuit. Improper use could cause fire or electric shock.

Introduction



MODEL	07108A/07204A	07109A	07120A	07001A
Electrical Requirements	~208-240V 60 Hz	~220-240V 50 Hz	~220-240V 50 Hz	~230V 60 Hz 3Ø
Amperage	15.7	11.8	11.8	24
Sound Emission (Lpm)	83.0 dB(A)	79.4 dB(A)	79.4 dB(A)	83.0 dB(A)
Vibration	<.30 in/s	< 2.5 m/s ²	< 2.5 m/s ²	<2.5 m/s ²
Contact Wheel Rate (rpm)	2000/2400	1670/2000	1670/2000	2000/2400
Abrasive Rate	3800/4560 ft/min	970/1160 m/min	970/1160 m/min	3800/4560 ft/min
Fan Flow Rate	280 CFM	110 liters/s	110 liters/s	280 CFM
Abrasive Sheet Size	12" x 26 1/8"	305mm x 664mm	305mm x 664mm	12" x 26 1/8"
Motor	4 Hp Continuous	2.2 kW Continuous	2.2 kW Continuous	10 Hp
Overload Protection	Magnetic Circuit Breaker	Magnetic Circuit Breaker	13 A Fuse	Magnetic Circuit Breaker
Operating Controls	Adjustable Lever/Grip	Adjustable Lever/Grip	Adjustable Lever/Grip	Adjustable Lever/Grip
Leveling Controls	Externally Adjustable	Externally Adjustable	Externally Adjustable	Externally Adjustable
Electrical Cable	100' 10-3 SJO with L6-20P Plug	H05VVF3G4.0 AU3-20P Plug	H07RNF3G1.5 mm with UK1-13P Plug	N/A
Operating Wheels	80 Durometer Clear Urethane	80 Durometer Clear Urethane	80 Durometer Clear Urethane	80 Durometer Clear Urethane
Weight	240 lbs.	204 lbs.	92.7 kg	256 lbs
Dimensions	40½ x 15 x 36 3/4	40½ x 15 x 36 3/4	103cm x 38cm x 93cm	40½ x 15 x 36 3/4



CAUTION:

Your equipment may be inappropriate on some installations. Some softer woods used in flooring cannot support the pressure created by hard wheels. Always consult with the flooring manufacturer on the proper installation, preparation, and finishing of their product. Determine suitability of your equipment in preparing the product.

Electrical Connection Instructions

⚠ CAUTION: This machine will operate only on AC frequency and on electrical voltage shown on the equipment nameplate. Make sure you have the correct frequency and voltage before connecting the power cord to an outlet. See the example in figure 1.

This machine must be connected to an electrical source with an earthing conductor in order to protect the operator from electric shock. This machine has an approved power cord with three conductors as well as a plug with three terminals. Connect the plug to a matching receptacle.

⚠ DANGER: Electrocutation could occur if the machine is exposed to water or rain. Keep the machine in a dry building.

⚠ DANGER: Electrocutation could occur if machine is not connected to an electrical source with an earthing conductor. To prevent possible electric shock, use an electrical cord with an earthing conductor and connect it to a matching electrical source. For maximum protection against electrical shock, use a circuit that is protected by a ground fault circuit interrupter. Consult your electrical contractor.

⚠ DANGER: Electrocutation could occur if the machine is used with a damaged plug or power cord. If the cords or plugs are worn or damaged in any way, have them replaced by an authorized service person or electrician.

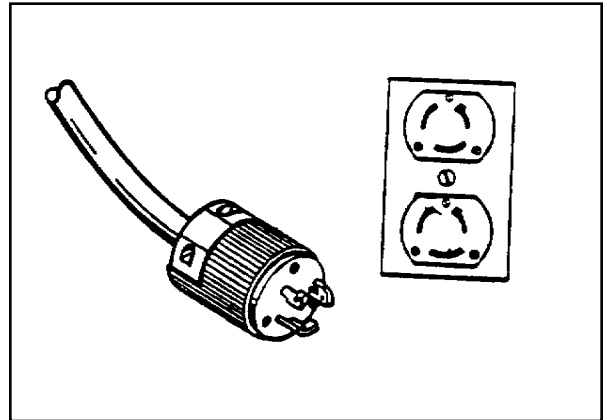


Figure 1

Extension Cords

Use only an approved three-pronged extension cord with two main conductors and one earthing conductor. This machine is equipped with a power cord. When greater range is needed follow the table below to determine cable gauge of additional footage. Refer to the chart to the right for extension cord information.

If motor appears to labor or takes a considerable longer time to come up to speed reduce sanding pressure.

Feet/Wire Gauge (Stranded Copper)

Source Voltage	0 - 100'	100 - 250'
208	6	Use Voltage Booster
230	10	8

Machine Transportation

⚠ WARNING: The machine is heavy. Remove the motor from the machine before transporting. Get help loading the machine and motor.

To transport the machine, follow this procedure:

1. Make sure the power cable is disconnected from the electrical outlet.
2. Disconnect the handle plug connection. See figure 1.
3. Remove the belt cover.
4. Remove the fan belt.
5. Loosen the motor bolt. Using the $\frac{3}{4}$ " wrench, turn the motor bolt counterclockwise. See figure 2.
6. Slide the motor forward.
7. Remove the drive belt.
8. Remove the motor from the chassis.

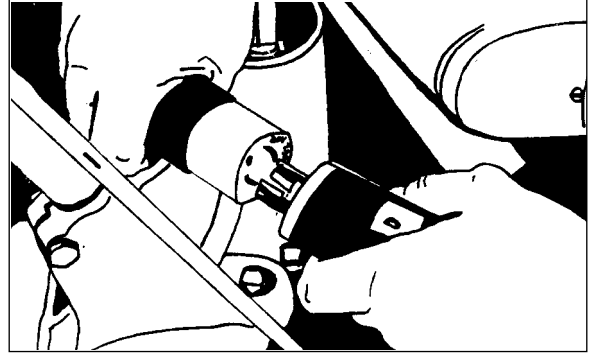


Figure 1

To re-assemble the machine after transporting, follow this procedure:

1. Reposition motor on chassis.
2. Install the drum belt. Slide the motor back until adequate tension is achieved in belt.

⚠ CAUTION: To prevent damage to the floor surface, make sure the drive belt is tight.

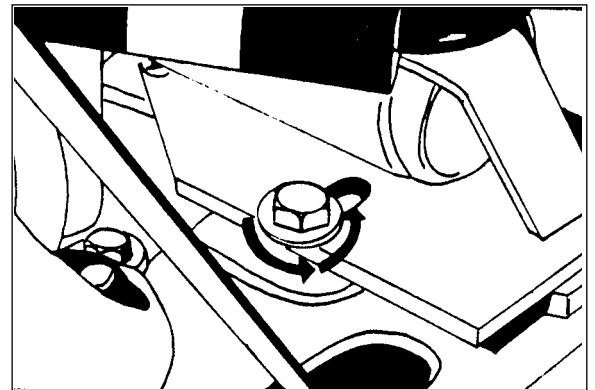


Figure 2


3. Resecure the motor to the chassis.
4. Install the fan belt.
5. Install the belt cover.
6. Reconnect the handle plug.

Machine Set-up

To set-up your machine follow this procedure:

1. Familiarize yourself with the machine and read all danger, warning and caution statements. Make sure all operators of this machine have read this Owner's Manual. If they cannot read English, have the manual explained fully before allowing anyone to operate the sander.
2. Locate the power supply. The receptacle should be compatible with the plug. The receptacle must be grounded and must be fused (30 amp) to avoid an electrical hazard.
3. Clip the dust bag to the elbow. Cross the strings on the dust bag and draw tight over the flare on the elbow. Wrap the string around the elbow and secure.
4. Wind the power cord through the cable arm. Keep the power cord out of path of equipment.

How To Install The Abrasive

 **WARNING:** Disconnect power before changing abrasive.

To install the abrasive, follow this procedure:

1. Prepare abrasive with template supplied.
2. Place backing of abrasive on the template. The template is marked "This Side Up." Make sure the marked side of the template is facing up.
3. Cut the abrasive to the exact length of the template.
4. Align one edge of the abrasive with a notch in the template.
5. Fold the other end of the abrasive over the end of the template and crease.
6. Repeat steps 4 and 5 for remaining notch.
7. Lift the drum cover.
8. Put the smooth side of the abrasive against the sanding drum.
9. Put one end of the abrasive against the sanding drum slot (1). See figure 3.
10. Turn the drum one revolution. Put the other end of the abrasive in the drum slot (2). See figure 3.

11. Tighten the abrasive.

To tighten the abrasive, follow this procedure:

1. The end wrenches are given with the machine. Put a wrench around the nut at each end of the drum (1). See figure 4.
2. Make sure the flat sides of the nuts are parallel with the drum slot.
3. Turn the wrenches the opposite rotation until the abrasive is tight against the drum (2). See figure 4.

12. Remove the end wrenches.

13. Close the cover.

NOTE: When using #4 or 4½ grit abrasive, remove the large grains from the folded ends. To remove the grains, rub the folded ends together.

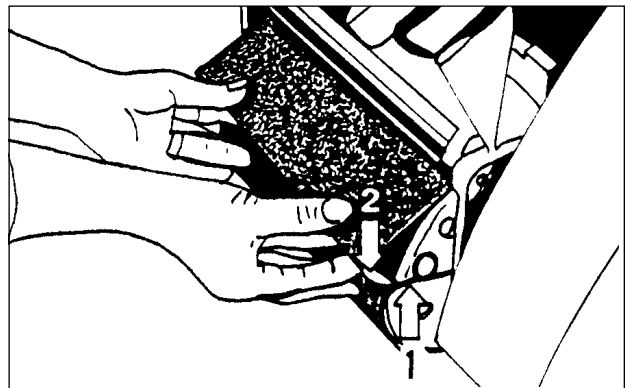


Figure 3

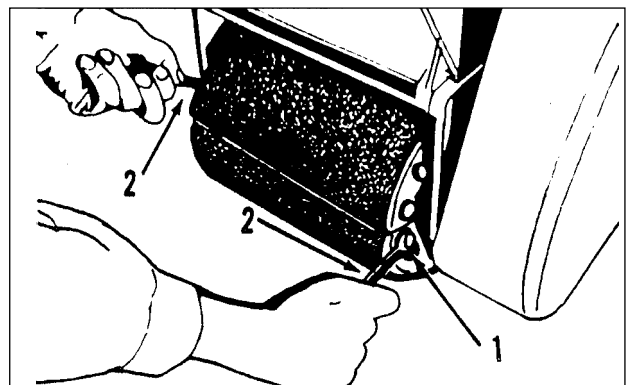


Figure 4

Operating Instructions



DANGER:

Sanding/finishing wood floors can create an environment that can be explosive. Cigarette lighters, pilot lights and any other source of ignition can create an explosion when active during a sanding session. All sources of ignition should be extinguished or removed entirely if possible from the work area.



DANGER:

Work areas that are poorly ventilated can create an explosive environment when certain combustible materials are in the atmosphere, i.e., solvents, thinners, alcohol, fuels, certain finishes, wood dust and other combustible materials. Floor sanding machines can cause flammable material and vapors to ignite. Read the manufacturer's label on all chemicals used to determine combustibility. Keep the work area well ventilated.



DANGER:

Sanding dust can spontaneously ignite and cause an injury or damage. Sanding dust should be disposed of properly. Always empty the sanding dust into a metal container. Remove the contents of the dust bag when the bag is 1/3 full.



DANGER:

Sanding dust can spontaneously ignite and cause an injury or damage. Remove the contents of the dust bag each time you finish using the machine. Always dispose of the dust in a metal container located outside of the building. Never leave a dust bag unattended with sanding dust in it. Do not empty the contents of the dust bag into a fire.



DANGER:

Hitting a nail while sanding can cause sparks and create an explosion or fire. Always use a hammer and punch to countersink all nails before sanding floors.

Operating Instructions

1. Install the operator's belt as follows:
 - a. Position the operator's belt around waist.
 - b. Cross the straps at the waist. See figure 5.
 - c. Slide the belt loop end over the handle on the control lever side. Adjust the length as needed.
 - d. Wrap the remaining strap around the opposite side of the handle and hold it in place with your hand.



WARNING: Should quick release of the machine be necessary, serious operator injury could occur if the operator has tied the loose end of the operator's belt strap to the machine. Always position the strap so that you can let go and get away quick in case of bag fire or explosion.

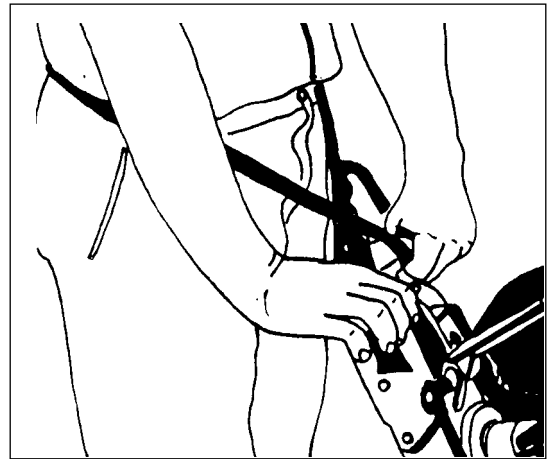


Figure 5

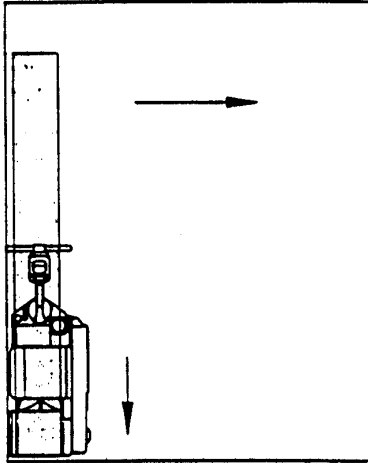
2. Put the On/Off switch into the "ON" position.



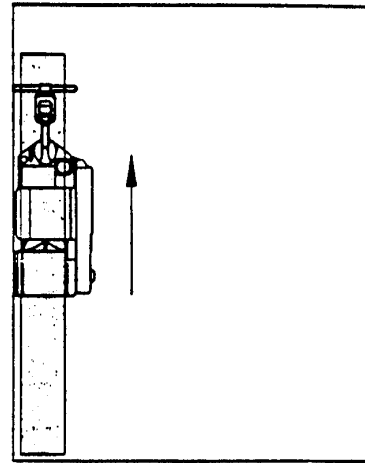
DANGER: Serious damage can occur to the floor surface if the machine is not in motion while the contact wheel is running on the floor surface. To prevent damage to the surface, make sure the machine is always moving when the contact wheel is in contact with the floor.

3. Work right to left. For each forward pass, move the machine 4" over the pass you have just finished. Retrace your reverse path without overlapping. See figure 6.
4. Feather-cut in by easing the contact wheel down onto the surface with the control lever while the sander is in motion.
5. When contact wheel is fully engaged with the surface, gradually adjust your pace for adequate finish removal. Keep sander in motion while the contact wheel is engaged with the surface or dwell marks will occur.
6. Move the machine in the direction of the grain in the wood whenever it is possible. Sand the surface at a constant pace.
7. Gradually feather-cut out at the termination point (the end of your pass) by easing the contact wheel up with the control lever. Stagger the termination points for a better blend when edging.
8. Empty dust bag whenever it is 1/3 full. Never leave a dust bag unattended with sanding dust in it. Sanding dust can spontaneously ignite and cause a fire or explosion. Empty dust into a metal container located outside of the building.

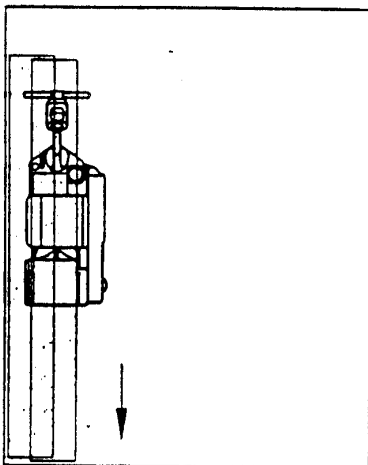
Operating Instructions



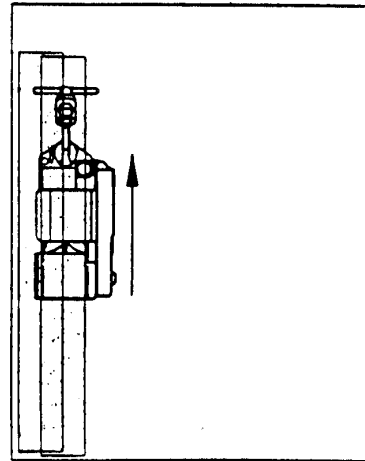
A. First pass forward, right to left.



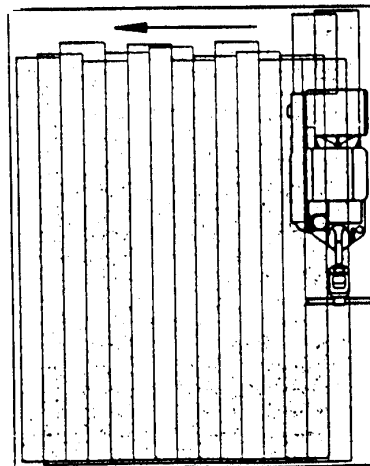
B. First pass reverse, retrace same path.



C. Second pass forward, overlap $\frac{1}{2}$ the drum width.



D. Second pass reverse, retrace second path forward, etc....for the entire room



E. Work the remaining unsanded floor in the same fashion, right to left.

Figure 6

Sanding Cuts and Sandpaper

Initial Cut

The purpose of the initial cut is to remove old finish and gross imperfections on the floor surface. The sanding equipment should be adjusted to heavy sanding pressure setting and a coarse abrasive should be used. If the surface is severely damaged by deep scratches, pre-existing dwell marks, uneven planks, etc., it may be necessary to sand across or diagonally to the grain to restore evenness to the surface. If these conditions are not present, the initial cut should be done in the direction of the grain.

If glazing, loading, or burning takes place immediately into an initial cut, select a coarser abrasive. If this should occur during an initial cut, the abrasive has dulled and must be replaced.

Final Cuts

The purpose of a finishing cut is to remove the scratches produced during the initial cut. Use a fine (60 - 80 grit) grain abrasive and a reduced sanding pressure setting.

If the surface remains rough after a finishing cut, it may be necessary to use an even finer grain of abrasive (80 - 100 grit). Care should be taken in selecting the grit size of the abrasive. A very fine grain will close the pores on a wood floor making admission of a stain difficult.

If glazing or burning should occur immediately into a finishing cut, reduce the sanding pressure. If it should occur during a finishing cut, the abrasive has dulled and must be replaced.

Sander Adjustment Procedures



DANGER:

Electrocution could occur if maintenance and repairs are performed on a unit that is not properly disconnected from the power source. Disconnect the power supply before attempting any maintenance or service.



DANGER:

Moving parts of this machine can cause serious injury and/or damage. Keep hands, feet and loose clothing away from all moving parts of the sander.

Sanding Pressure

To adjust the sanding pressure follow this procedure:

1. Screw the sanding pressure knob down to increase the sanding pressure when making the roughing in cut.
2. Screw the sanding pressure knob up to decrease the sanding pressure when making the finishing cut.

Drum Rates

The machine can be operated at two rates. To change the speed of the drum, follow this procedure:

1. Remove the belt cover.
2. Remove the fan belt.
3. Loosen the motor bolt.
4. Slide the motor forward.
5. For high drum rates, install drive belt in larger diameter of the grooves available on the motor pulley and in the smaller diameter of the two grooves available on the drum pulley. For lower rates, install drive belt in smaller diameter of the grooves available on the motor pulley and in the larger diameter of the two grooves available on the drum pulley.
6. Tighten belt and secure motor to chassis.
7. Install the fan belt.
8. Install the belt guard.

Sander Adjustment Procedures

Leveling

If the sanding drum is out of adjustment, follow this procedure:

1. Remove the belt cover.
2. Loosen the eccentric lock screw. Using the 7/16" wrench, turn the eccentric lock screw (1) counterclockwise. See figure 7.
3. To raise or lower the drum, turn the eccentric (2). See figure 7.
4. Tighten the eccentric lock screw. To tighten the eccentric lock screw, turn the screw clockwise.
5. Install the belt cover.

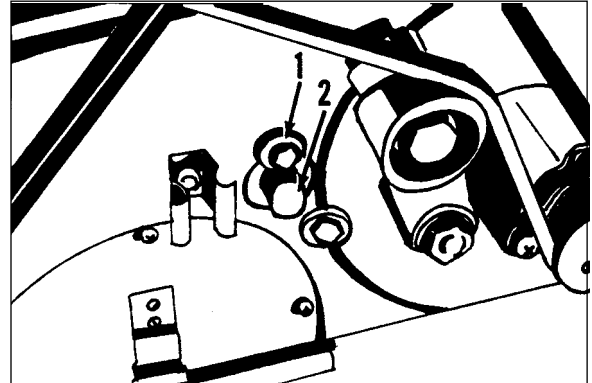


Figure 7

How to Lubricate the Wheel Pivots

NOTE: The wheel pivots must be lubricated after every 25 hours of use.

To lubricate the wheel pivots, follow this procedure:

1. Put the machine on its side.
2. Lubricate the pivots. The pivots are behind the truck wheels. See figure 8.
3. Put the machine on its wheels.

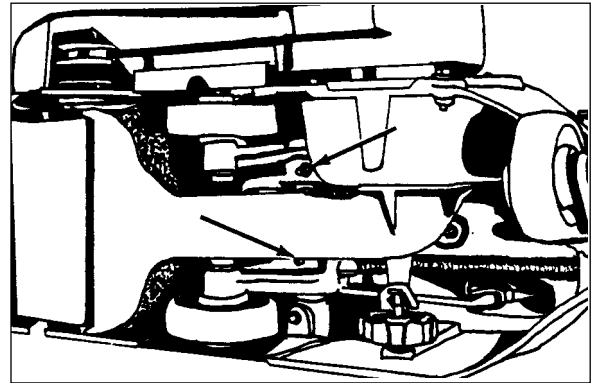


Figure 8

Operating Control

To increase the travel or extend the reach on the grip control follow this procedure:

1. Loosen the locknut on the control rod. See figure 9.
2. Screw the control rod adjuster in until the desired reach is found.
3. Tighten the locknut.

To decrease the travel or reduce the reach on the grip control follow this procedure:

1. Loosen the locknut on the control rod. See figure 9.
2. Screw the control rod adjuster out until desired reach is found.
3. Tighten the locknut.

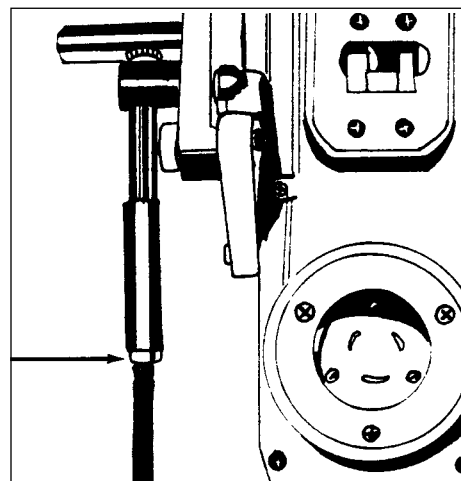


Figure 9

Routine Maintenance

The following items need to be periodically inspected and maintained to keep your sander in good working condition.

Wheels

Periodically remove the debris from the truck and caster wheels. Debris can cause waves on a sanded surface. Lubricate truck mechanism every 25 hours of use. The machine is equipped with lubrication fittings and are located on shaft supporting mechanism.

Dust Bag

Remove the dust bag from the machine and shake it thoroughly to remove the sanding dust from the dust bag. Turn the dust bag inside out and machine wash in cold water to prevent pore blockage and loss of dust recovery.

Drive Belt

Periodically check the drive belt tension.

Bearings

Periodically check the bearings for wear or damage according to the following schedule:

Idler pulley..... after 1st 1500 hrs.
Fan shaft after 1st 2500 hrs.
Arbor shaft after 1st 5000 hrs.
Motor shaft after 1st 5000 hrs.

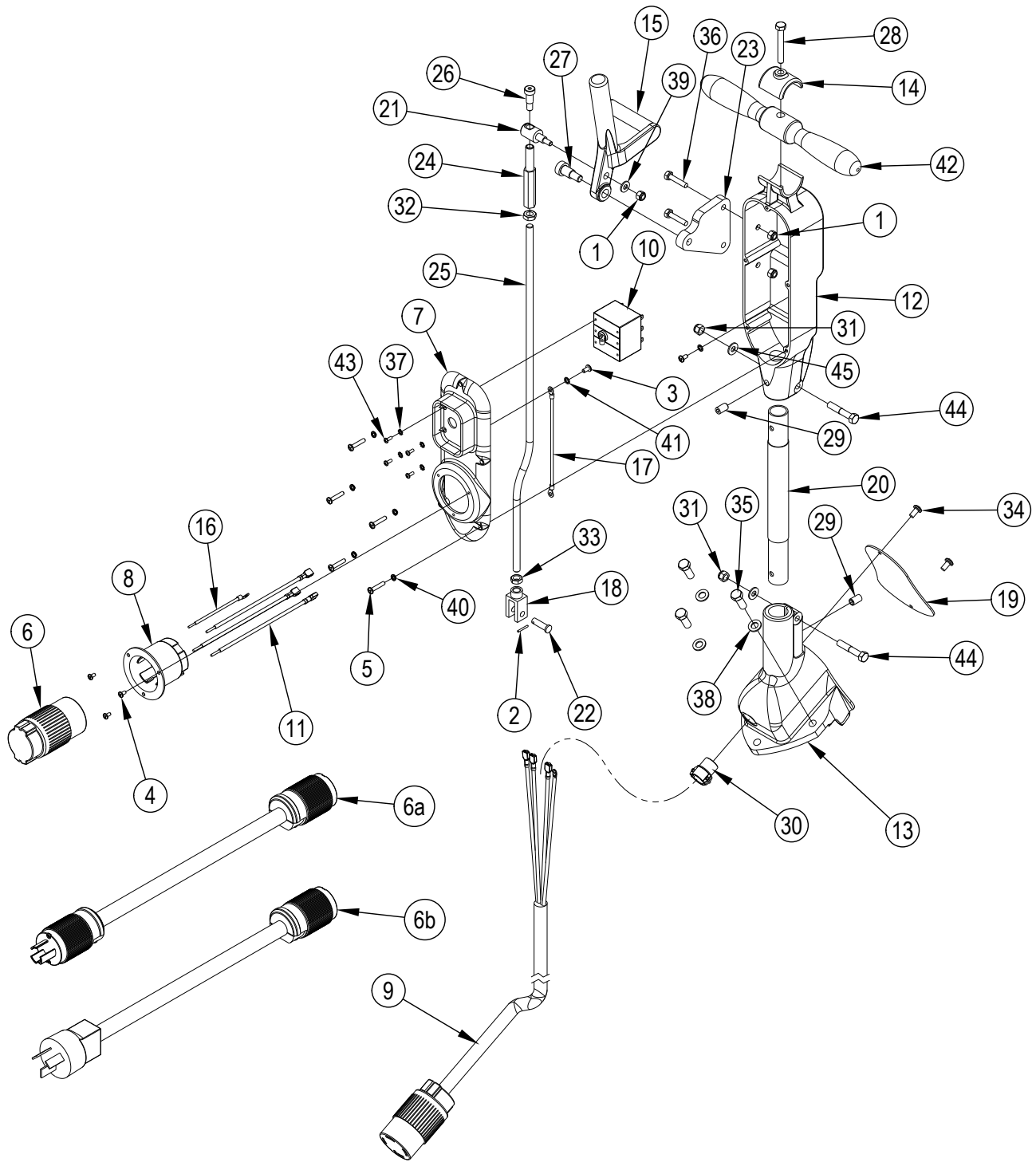
Troubleshooting

PROBLEM	CAUSE	ACTION
Drive belts slip.	Insufficient tension. Worn belts.	Tension drive belt. (Squeaking or squealing sound) Replace belts.
Squealing, growling or grinding noise coming from machine.	Damaged and/or worn bearing.	Remove drive belts, rotate arbor motor, fan, shafts and idler pulley to locate dragging or rough bearing. Contact an authorized American Sanders dealer.
Dust pick-up is poor.	Dust bag is over 1/3 full. Dust bag is dirty. Dust chute is obstructed.	Empty contents of bag. Shake debris from bag and wash. Remove fan cover and clear throat.
Motor will not start.	Defective motor starter. Defective start capacitor. Defective electronic start switch. Low voltage from poor connection. Defective motor. No power.	Contact an authorized American Sanders dealer. Contact an authorized American Sanders dealer. Contact an authorized American Sanders dealer. Contact an authorized American Sanders dealer. Contact an authorized American Sanders dealer. Contact an authorized American Sanders dealer. Check power supply and connections.
Motor runs sluggishly.	Low voltage from excessive footage, undersized extension cord, or poor connection. Defective run capacitor. Defective motor.	Locate power source nearer to work site. Decrease sanding pressure. Contact an authorized American Sanders dealer. Contact an authorized American Sanders dealer.
Motor starter trips/repeatedly	Excessive load. Defective electronic start switch. Defective motor starter. Low voltage from poor connection. Defective motor Defective capacitor.	Contact an authorized American Sanders dealer. Contact an authorized American Sanders dealer. Contact an authorized American Sanders dealer. Contact an authorized American Sanders dealer. Contact an authorized American Sanders dealer. Contact an authorized American Sanders dealer. Contact an authorized American Sanders dealer.
Uneven cut.	Leveling out of adjustment.	Readjust leveling.
Burning or glazing.	Dull abrasive. Excessive sanding pressure. Too fine of an abrasive.	Replace abrasive. Decrease sanding pressure setting. Use coarser abrasive.
Slow cutting.	Dull abrasive. Too fine of an abrasive. Insufficient sanding pressure.	Replace abrasive. Use a coarser abrasive. Increase sanding pressure setting.
Waves on sanded surface.	Debris on wheel. Flat spot on tire(s).	Remove and clean wheels. Replace tires.
Chatter marks on sanded	Drum out of round. Surface (close evenly spaced) Drum vibration.	Contact an authorized American Sanders dealer or replace the drum. Change shim combination. Remove debris from surface or ends of drum.



Rotary Sander
American 12
Section II
Parts Manual

HANDLE ASSY [MODELS 07108A, 07109A, 07204A]

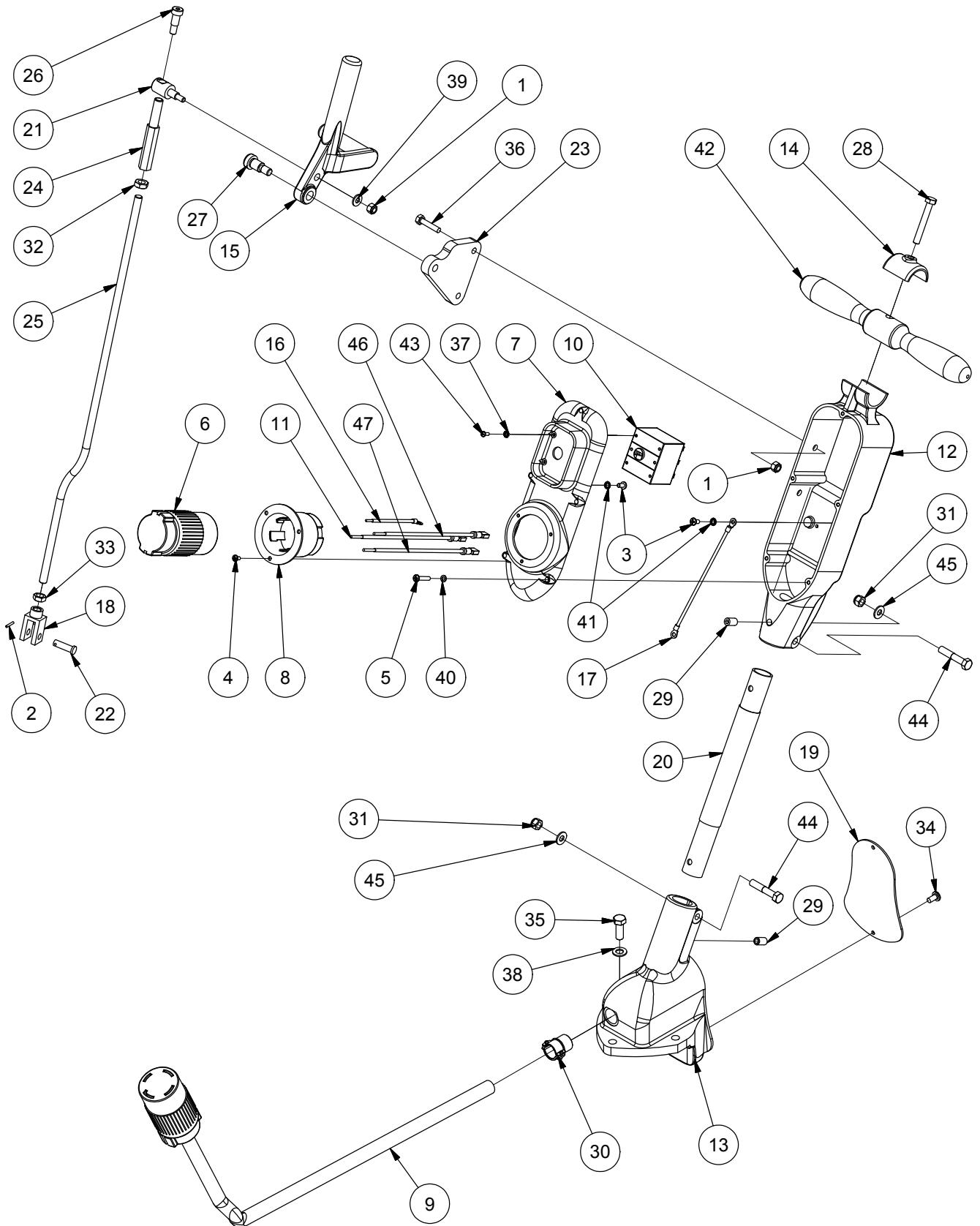


HANDLE ASSY [MODELS 07108A, 07109A, 07204A]

Item	Ref. No.	Qty	Description
1	920284	3	Nut Stop Elastic 1/4-20 Heavy
2	925036	1	Pin-3/32x3/4 Cotter
3	962015	2	Screw 10-24 X 3/8 Pn St Ph
4	962065	3	Screw 8-32 X 1/4 Pn St Ph
5	962794	5	Screw 10-24x1 Pn St Ph
6	56381401	1	Connector Nema L15-30r (model 07001A)
6a	42201A	1	Cord-Power [Model 07108A, 07204A]
6b	AS016800	1	Cord, Power, 100', 230V (model 07109A)
7	22127C	1	Cover, Switch Box-Black
8	43501A	1	Inlet- 20A, 250V
9	41917A	1	Cord-Interconnecting
10	41411A	1	Circuit Breaker 30 Amp
11	49023A	1	Wire Assembly Black
12	20704C	1	Box-Switch
13	21102C	1	Bracket-Handle
14	21904C	1	Clamp Steering Handle - Black
15	25602A	1	Lever Control Am-8/12
16	48900A	1	Wire Assy
17	48901A	1	Wire Assembly
18	53917B	1	Clevis Control Rod
19	62609A	1	Cover-Brkt Hdl
20	66114C	1	Handle Pipe - Black
21	66151A	1	Pivotcontrol Rod8 Belt Sand
22	66503A	1	Pin
23	66694A	1	Platecontrol Leverpntd8 Be
24	67129A	1	Adjustercontrol Rod8 Belt S
25	67144A	1	Rod Control Am-12
26	80021A	1	Bolt Shoulder 3/8 X 5/8
27	NB071200	1	Screw, Shoulder
28	85818A	1	Screw5/16-18 X 2 1/2 Hx Hd
29	86200A	2	Scr 3/8 -16x 5/8 St St Dogpt
30	170637	1	Conduit Connector 3/8x1/2 Npt 2 Scr
31	920110	2	Nut, 5/16-18 Hex Lock
32	920148	1	Nut, 3/8-16 Hex Jam
33	920260	1	Nut, 3/8-16 Hex
34	962016	2	Screw, 10-24 X 1/2" Rd.
35	962288	3	Bolt, 3/8-16 X 1.00 Hex Hd.
36	962481	2	Screw, 1/4-20 X 1 1/4 H.H.C.S.
37	980607	4	Washer, #6 Lock External Tooth
38	980638	3	Washer, 3/8 Lock
39	980646	1	Washer 1/4 Sae Flat Pltd
40	980650	5	Washer, #10 Lock
41	980699	2	Washer Sh #1210-00
42	64405A	1	Handle, Steering
43	85313C	4	Screw Phms 6-32x3/8 Cross Recessed
44	85816A	2	Screw, 5/16-18 X 1.75 Hex Hd
45	980651	2	Washer, 5/16 Flat
[]	56380639	1	Decal-Prop 65

[] = Not Shown

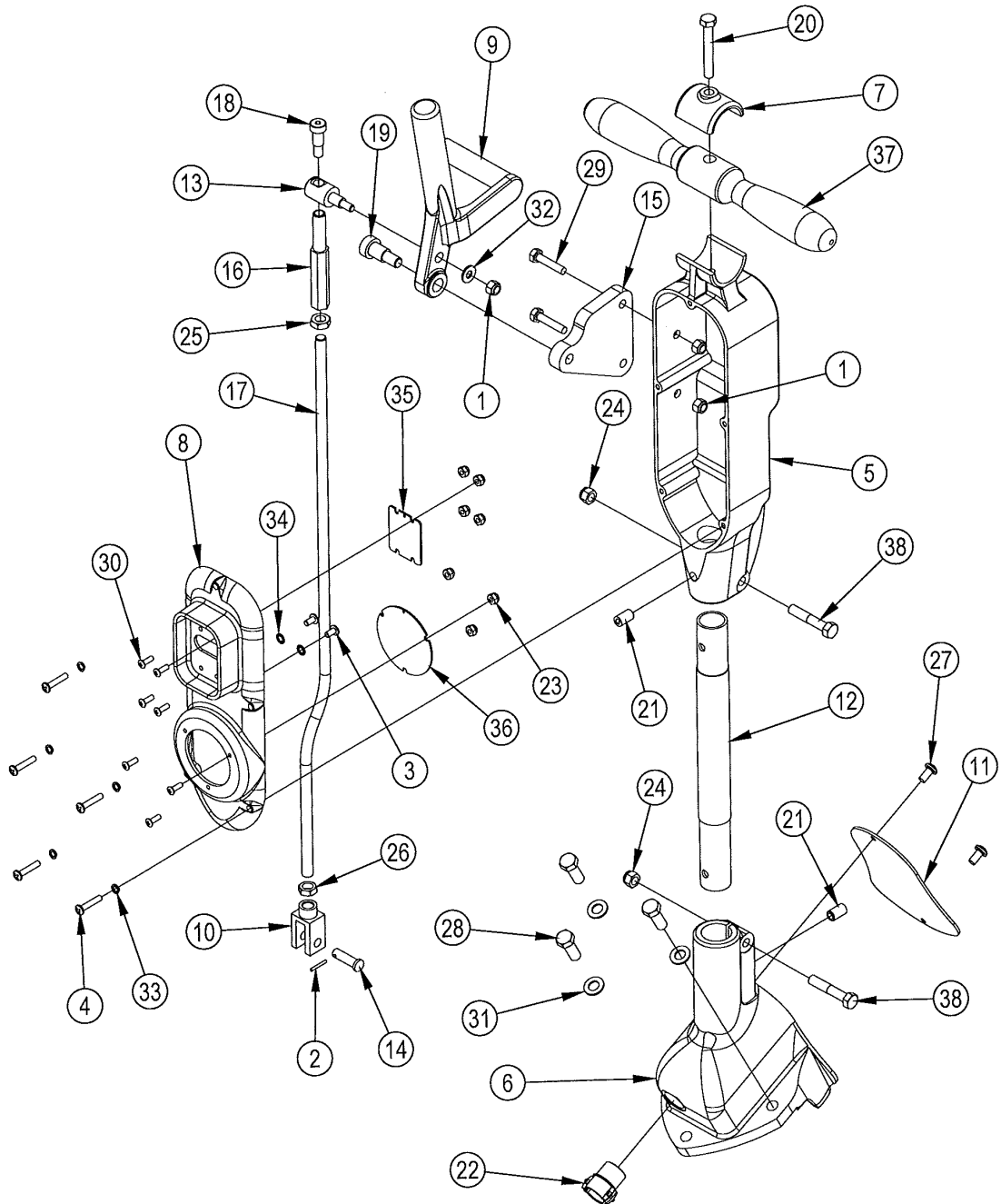
HANDLE ASSY [MODEL 07001A]



HANDLE ASSY [MODEL 07001A]

Parts List				Parts List			
ITEM	QTY	PART NUMBER	DESCRIPTION	ITEM	QTY	PART NUMBER	DESCRIPTION
1	3	920284	NUT STOP ELASTIC 1/4-20 HEAVY	26	1	80021A	BOLT, SHOULDER 3/8 X 5/8
2	1	925036	PIN 3/32 X 3/4 COTTER	27	1	NB071200	SCREW, SHOULDER, 1/2" X 5/8" X 3/8-16
3	2	962015	SCREW 10-24 X 3/8 PN ST PH	28	1	85818A	SCREW 5/16-18 X 2-1/2 HX HD
4	3	962065	SCREW 8-32 X 1/4 PN ST PH	29	2	86200A	SCR 3/8-16 X 5/8 ST ST DOGPT
5	5	962794	SCREW 10-24 X 1 PN ST PH	30	1	170637	CONDUIT CONNECTOR 3/8" 2-SCREW
6	1	56381401	CONNECTOR 250V NEMA L15-30R	31	2	920110	NUT, 5/16-18 HEX LOCK
7	1	56381704	SWITCH BOX COVER AM-12	32	1	920148	NUT, 3/8-16 JAM
8	1	56382556	INLET FLANGED NEMA L15-30	33	1	920260	NUT 3/8-16 HEX
9	1	56382558	INTERCONNECT CORD 3P-4W	34	2	962016	SCR 10-24 X 1/2 RD ST MACH
10	1	56382559	CIRCUIT BREAKER 3 POLE 24A	35	3	962288	BOLT 3/8-16 X 1.00 HEX HD
11	1	56382832	WIRE, 7.5" X 10 AWG, BLACK, ASM.	36	2	962481	SCREW, 1/4-20 X 1-1/4 H.H.C.S.
12	1	20704C	BOX, SWITCH	37	4	980607	WASHER 6 EXT TOOTH PLTD
13	1	21102C	BRACKET, HANDLE	38	3	980638	WASHER, 3/8 LOCK
14	1	21904C	CLAMP STEERING HANDLE-BLACK	39	1	980646	WASHER 1/4 SAE FLAT PLTD
15	1	25602A	LEVER CONTROL AM-8/12	40	5	980650	WASHER, .19 X .34 X .04 LOCK
16	1	48900A	WIRE ASSY	41	2	980699	WASHER SH 1210-00
17	1	48901A	WIRE ASSEMBLY	42	1	64405A	HANDLE-STEERING
18	1	53917B	CLEVIS CONTROL ROD	43	4	85313C	SCREW 6-32 X 3/8 PAN HD
19	1	62609A	COVER-BRKT HDL	44	2	85816A	SCREW, 5/16-18 X 1.75 HEX HD
20	1	66114C	HANDLE PIPE - BLACK	45	2	980651	WASHER 5/16 SAE FLAT
21	1	66151A	PIVOT CONTROL ROD	46	1	AS007000	WIRE, 8.5" X 10 AWG, WHITE, ASM.
22	1	66503A	PIN	47	1	AS007100	WIRE, 8.5" X 10 AWG, RED, ASM.
23	1	66694A	PLATE CONTROL LEVER PNTD	[]	1	56380639	DECAL, PROP 65
24	1	67129A	ADJUSTER CONTROL ROD 8 BELT S	[]	=	NOT SHOWN	
25	1	67144A	ROD CONTROL AM-12	[]	=	NOT SHOWN	

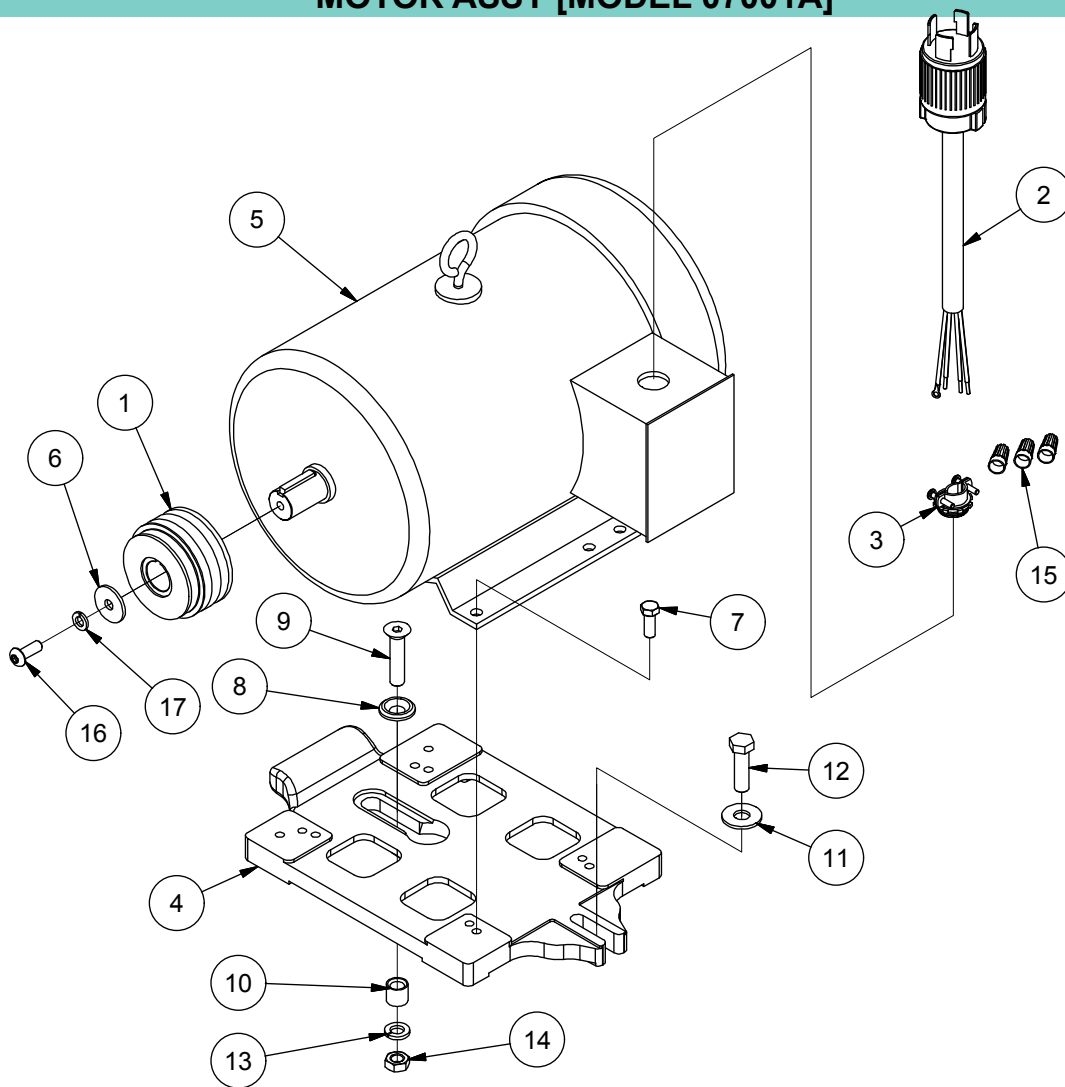
HANDLE ASSY [MODEL 07120A]



HANDLE ASSY [MODEL 07120A]

Item	Ref. No.	Qty	Description
1	920284	3	Nut Stop Elastic 1/4-20 Heavy
2	925036	1	Pin-3/32x3/4 Cotter
3	962015	2	Screw 10-24 X 3/8 Pn St Ph
4	962794	5	Screw 10-24x1 Pn St Ph
5	20704C	1	Box-Switch
6	21102C	1	Bracket-Handle
7	21904C	1	Clamp Steering Handle - Black
8	22127C	1	Cover Switch Box - Black
9	25602A	1	Lever Control Am-8/12
10	53917B	1	Clevis Control Rod
11	62609A	1	Cover-Brkt Hdl
12	66114C	1	Handle Pipe - Black
13	66151A	1	Pivotcontrol Rod8 Belt Sand
14	66503A	1	Pin
15	66694A	1	Platecontrol Leverpntd8 Be
16	67129A	1	Adjustercontrol Rod8 Belt S
17	67144A	1	Rod Control Am-12
18	80021A	1	Bolt Shoulder 3/8 X 5/8
19	80022A	1	Bolt Shoulder 1/2 X 5/8
20	85818A	1	Screw5/16-18 X 2 1/2 Hx Hd
21	86200A	2	Scr 3/8 -16x 5/8 St St Dogpt
22	170637	1	Conduit Connector 3/8x1/2 Npt 2 Scr
23	920065	7	Nut, 8-32 E.S.N.A
24	920110	2	Nut, 5/16-18 Hex Lock
25	920148	1	Nut, 3/8-16 Hex Jam
26	920260	1	Nut, 3/8-16 Hex
27	962016	2	Screw, 10-24 X 1/2" Rd.
28	962288	3	Bolt, 3/8-16 X 1.00 Hex Hd.
29	962481	2	Screw, 1/4-20 X 1 1/4 H.H.C.S.
30	962727	7	Screw, 8-32 X 1/2
31	980638	3	Washer, 3/8 Lock
32	980646	1	Washer 1/4 Sae Flat Pltd
33	980650	5	Washer, #10 Lock
34	980699	2	Washer Sh #1210-00
35	40674A	1	Cover, Switch Opening
36	40675A	1	Cover, Inlet Opening
37	64405A	1	Handle, Steering
38	85816A	2	Screw, 5/16-18 X 1.75 Hex Hd
[]	56380639	1	Decal-Prop 65

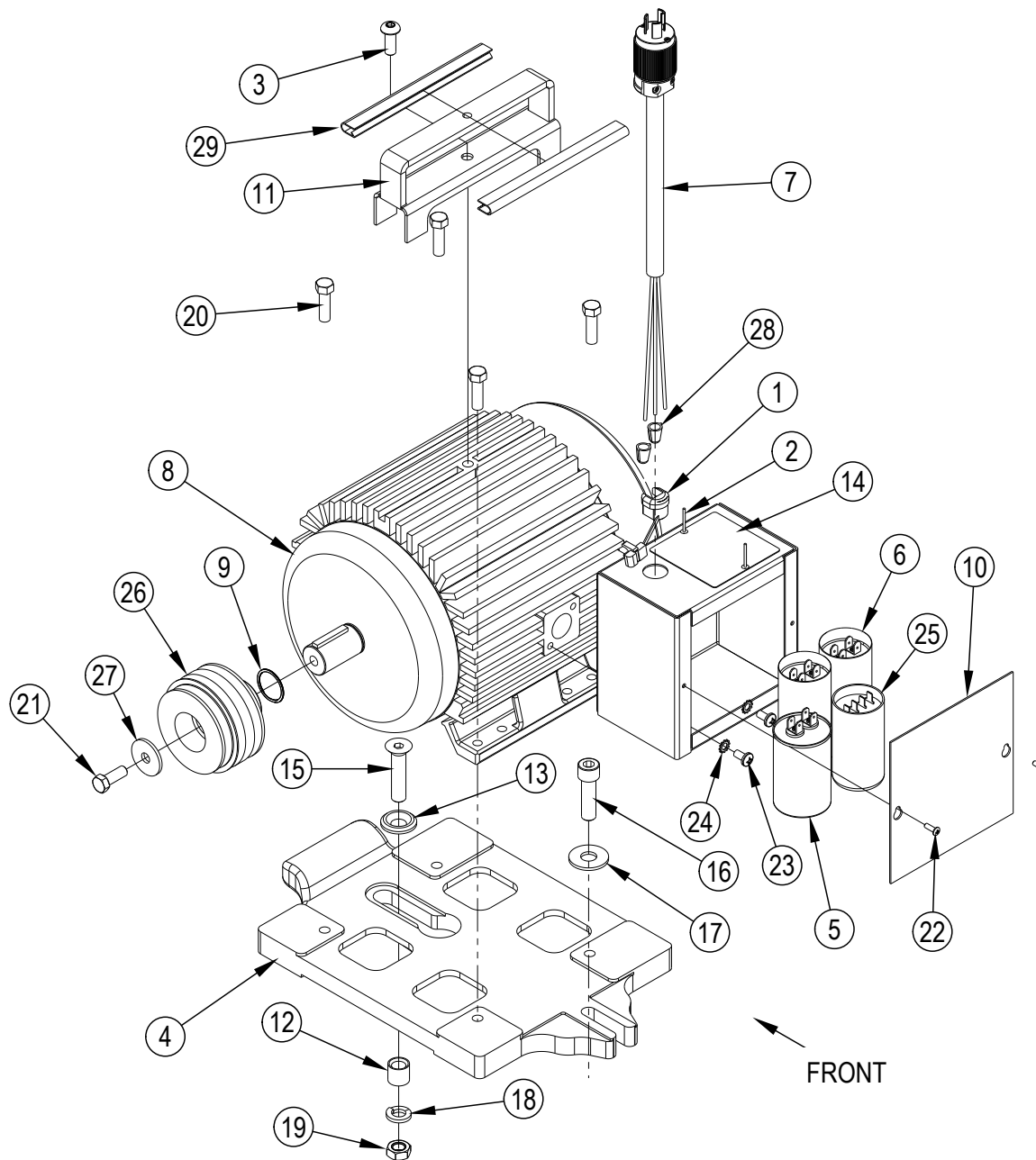
MOTOR ASSY [MODEL 07001A]



MOTOR ASSY [MODEL 07001A]

1	1	56381703	MOTOR PULLEY AM-12	15	3	170674	CONNECTOR WIRE NUT - RED
2	1	56382557	MOTOR CORD 3P-4W	16	1	962870	SCR 3/8 -16X1 BT ST ALLEN
3	1	56382827	CABLE CONNECTOR 3/4	17	1	MX1075	WASHER, LOCK, 3/8"
4	1	AS019300	PLATFORM, MOTOR, BLACK, AM-12	[]	1	AS021500	GASKET, LID, CONDUIT BOX, 3PH
5	1	AS018300	MOTOR, 10HP, 230V 60HZ, 213TZ	[]	1	AS021600	BEARING, SHAFT END, 3PH
6	1	87034A	RETAINER MOTOR PULLEY	[]	1	AS021700	BEARING, FAN END, 3PH
7	4	962288	BOLT 3/8-16 X 1.00 HEX HD	[]	1	AS021800	FAN, MOTOR, 3PH
8	1	68704A	WASHER-SCREW-MOTOR	[]	1	AS021900	CONDUIT BOX, 3PH
9	1	84220A	SCREW 1/2-13 X 2 1/4 FLAT HD	[]	1	AS022000	LID, CONDUIT BOX, 3PH
10	1	67820A	SPACER-SCREW-MOTOR	[]	1	AS022100	GASKET, CONDUIT BOX, 3PH
11	1	87006A	WASHER .56 X 1.38 X 11 FLAT ST	[]	1	AS022200	COVER, FAN, MOTOR, 3PH
12	1	85706A	SCREW 1/2-13 X 1-3/4 HX ST CAP				
13	1	87101A	WASHER LOCK 1/2 NOM	[]	=	NOT	
14	1	920196	NUT 1/2-13 HEX JAM			SHOWN	

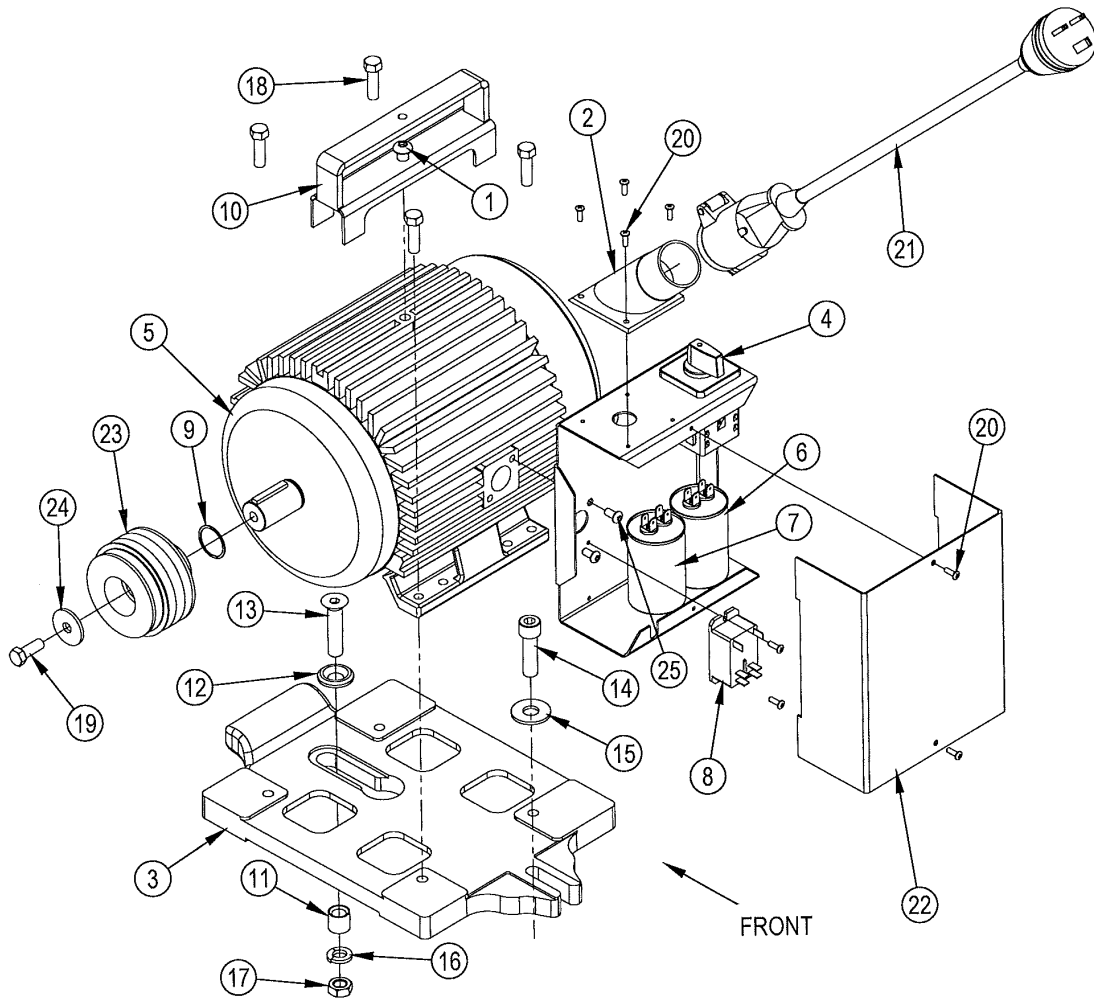
MOTOR ASSY [MODELS, 07108A, 07109A, 07204A]



MOTOR ASSY[07108A, 07109A, 07204A]

Item	Ref. No.	Qty	Description	Item	Ref. No.	Qty	Description
1	697502	1	Strain Relief-Bushing Sr 8l-1	15	84220A	1	Screw 1/2-13 X 2 1/4 Flat Hd
2	930087	2	Rivet 1/8dia Usm Ad42bs	16	85706A	1	Scr 1/2 -13x1&3/4 Hx St Cap
3	962870	1	Scr 3/8 -16x1 Bt St Allen	17	87006A	1	1/2 Uss Std Flat Washer Pltd
4	26108C	1	Platform Motor - Black	18	87101A	1	Washer Lock 1/2 Nom
5	41304A	1	Capacitor Oil Filled 40mfd	19	920196	1	Nut 1/2-13 Hex Jam
6	41305A	2	Capacitor Electr 161-193mfd	20	962216	4	Screw, 3/8-16 X 1 1/4 Hex.
	41306A	1	Capacitor Run 115V	21	962288	1	Bolt, 3/8-16 X 1.00 Hex Hd.
7	41945A	1	Cordmotorclassic 8	22	962727	2	Screw, 8-32 X 1/2
	40673A	1	Cordset w/UK1-13P	23	962823	2	Screw, 1/4-20 X 1/2 P.H.
8	44639A	1	Motor4 Hp 230/60classic 8 (models 07108A, 07204A)	24	980614	2	Washer, 1/4" Starlock, External
	44640A	1	Motor3 Hp240 V / 50 Hzclass (models 07109A)	25	47378A	1	Switch Start 260v Cutout
9	57712A	1	Ringretainingmotor Shaft8	26	66164A	1	Pulley, Motor
10	62904A	1	Enclosuremotor Startpntdcla	27	87034A	1	Retainer, Motor Pulley
11	64460A	1	Handle Wldmtmotor Liftpntd8	28	170674	2	Connectorwire Nut-Red
12	67820A	1	Spacer-Screw-Motor	29	97100A	1.12'	Trimvinylblack400 FT. Spool
13	68704A	1	Washer-Screw-Motor	[]	AS016800	1	Cord, Power, 100 ft, 230V (model 07109A)
14	74044A	1	Platedangerfireclassic 8	[]	Not Shown		

MOTOR ASSY [MODEL 07120A]

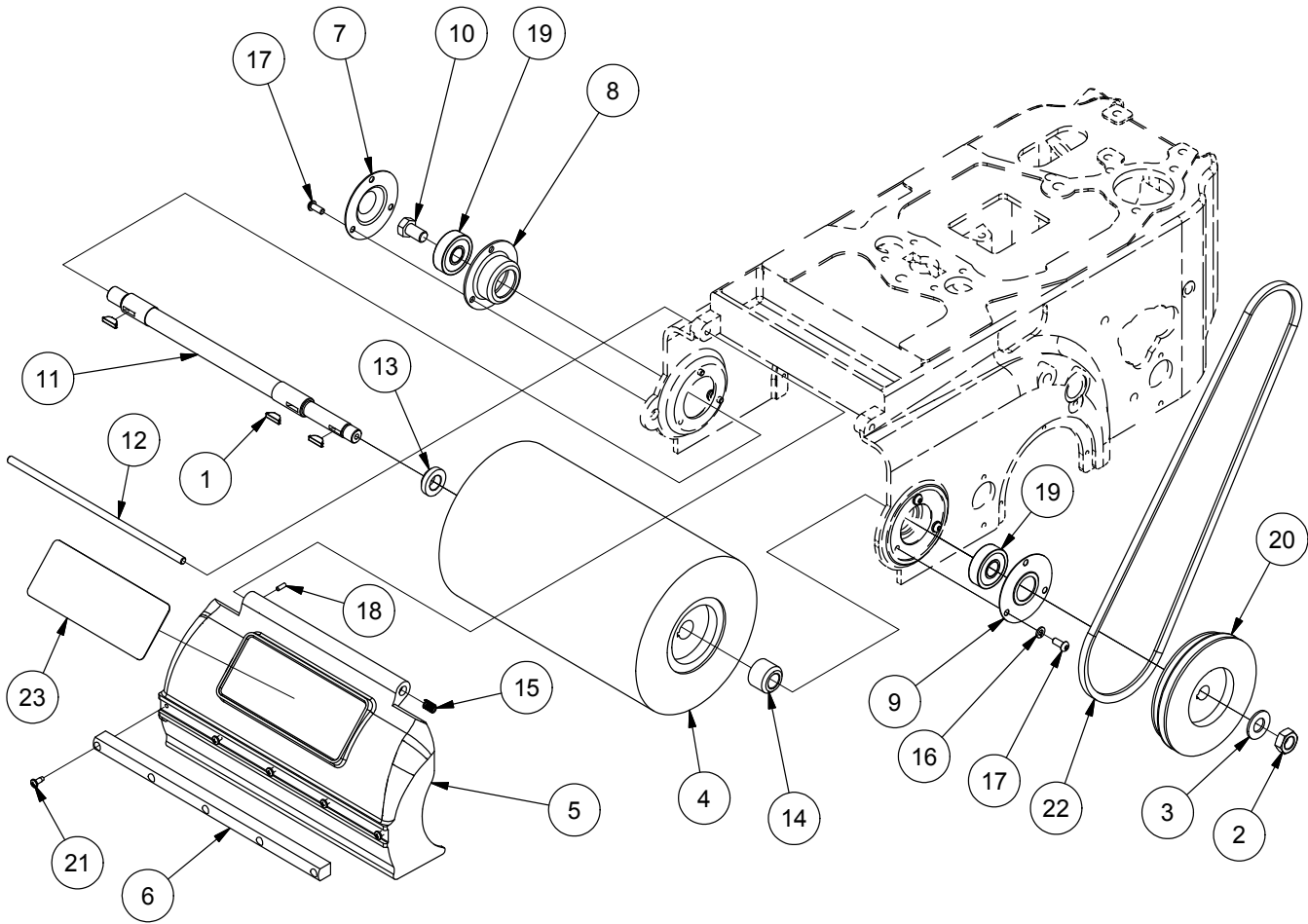


MOTOR ASSY [MODEL 07120A]

Item	Ref. No.	Qty	Description	14	85706A	1	Scr 1/2 -13x1&3/4 Hx St Cap
1	962870	1	Scr 3/8 -16x1 Bt St Allen	15	87006A	1	1/2 Uss Std Flat Washer Pltd
2	10603A	1	Inlet Asm Electrical	16	87101A	1	Washer Lock 1/2 Nom
3	26108C	1	Platform Motor - Black	17	920196	1	Nut 1/2-13 Hex Jam
4	40676A	1	Switchcontrol Floorcrafter	18	962216	4	Screw, 3/8-16 X 1 1/4 Hex.
5	40746A	1	Motor 2.2kw Am-12 Ce	19	962288	1	Bolt, 3/8-16 X 1.00 Hex Hd.
6	41304A	1	Capacitor Oil Filled 40mfd	20	962727	8	Screw, 8-32 X 1/2
7	41306A	1	Capacitor Run 115v Ez-8	21	40673A	1	Cordset, Power W/UK1-13P
8	46323A	1	Relaylatchingdpst240v Ukb2	22	61599A	1	Enclosure Switch
9	57712A	1	Ringretainingmotor Shaft8	23	66164A	1	Pulley, Motor
10	64460A	1	Handle Widmtmotor Liftpntd8	24	87034A	1	Retainer, Motor Pulley
11	67820A	1	Spacer-Screw-Motor	25	87700A	2	Screw 1/4-20 X 1/2 B.H.
12	68704A	1	Washer-Screw-Motor				
13	84220A	1	Screw 1/2-13 X 2 1/4 Flat Hd				

Item Ref. No. Qty Description

DRUM ASSEMBLY

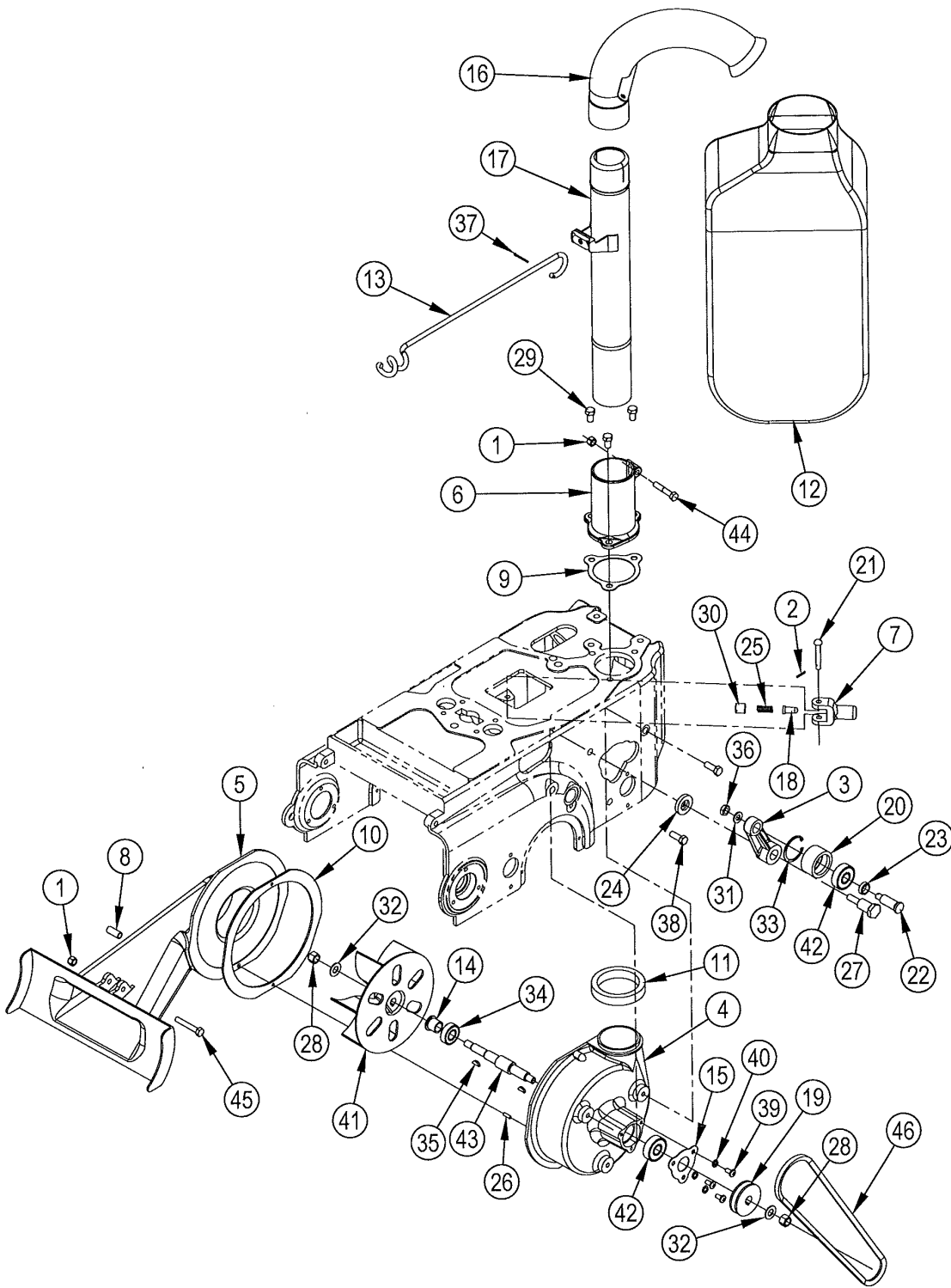


DRUM ASSEMBLY

Parts List				Parts List			
ITEM	QTY	PART NUMBER	DESCRIPTION	ITEM	QTY	PART NUMBER	DESCRIPTION
1	3	55400A	KEY 3/16 X 3/4 DIA. HYPRO	13	1	67818A	SPACER, SHAFT DRUM
2	1	920280	NUT-5/8-18X3/8 HEX JAM	14	1	67819A	SPACER-SHAFT DRUM
3	1	980644	WASHER, FELT, 5/8 SAE	15	1	67911A	SPRING
4	1	13500A	DRUM ASSEMBLY AMERICAN 12	18	1	962262	SCREW, SET 8-32 X 1/2"
5	1	22111A	COVER DRUM AMERICAN 12	17	6	962983	SCR 1/4-20 X 5/8 PN ST MACH
6	1	31211A	BUMPER ASSEMBLY	16	6	980657	WASHER, LOCK 1/4"
7	1	62608C	COVER DRUM SHAFT	19	2	51110A	BEARING-BALL
8	1	64703A	HOUSING, BEARING SHAFT	20	1	66165A	PULLEY DRUM AMERICAN 12
9	1	66918A	RETAINER, FELT, WASHER, PNTDAM 8	21	5	85517A	SCREW #10-24 X 1/2 PHCR TYPE 23
10	1	67314A	SCR	22	1	51021A	BELT, DRUM, 3VX425 (07108A, 07109A, 07204A & 07120A)
11	1	67415A	SHAFT, DRUM		1	AS018500	BELT, 3V, 44.5" (07001A)
12	1	67417A	SHAFT, COVER, DRUM	23	1	AS014200	NAMEPLATE, AMERICAN 12

DUST CONTROL ASSY

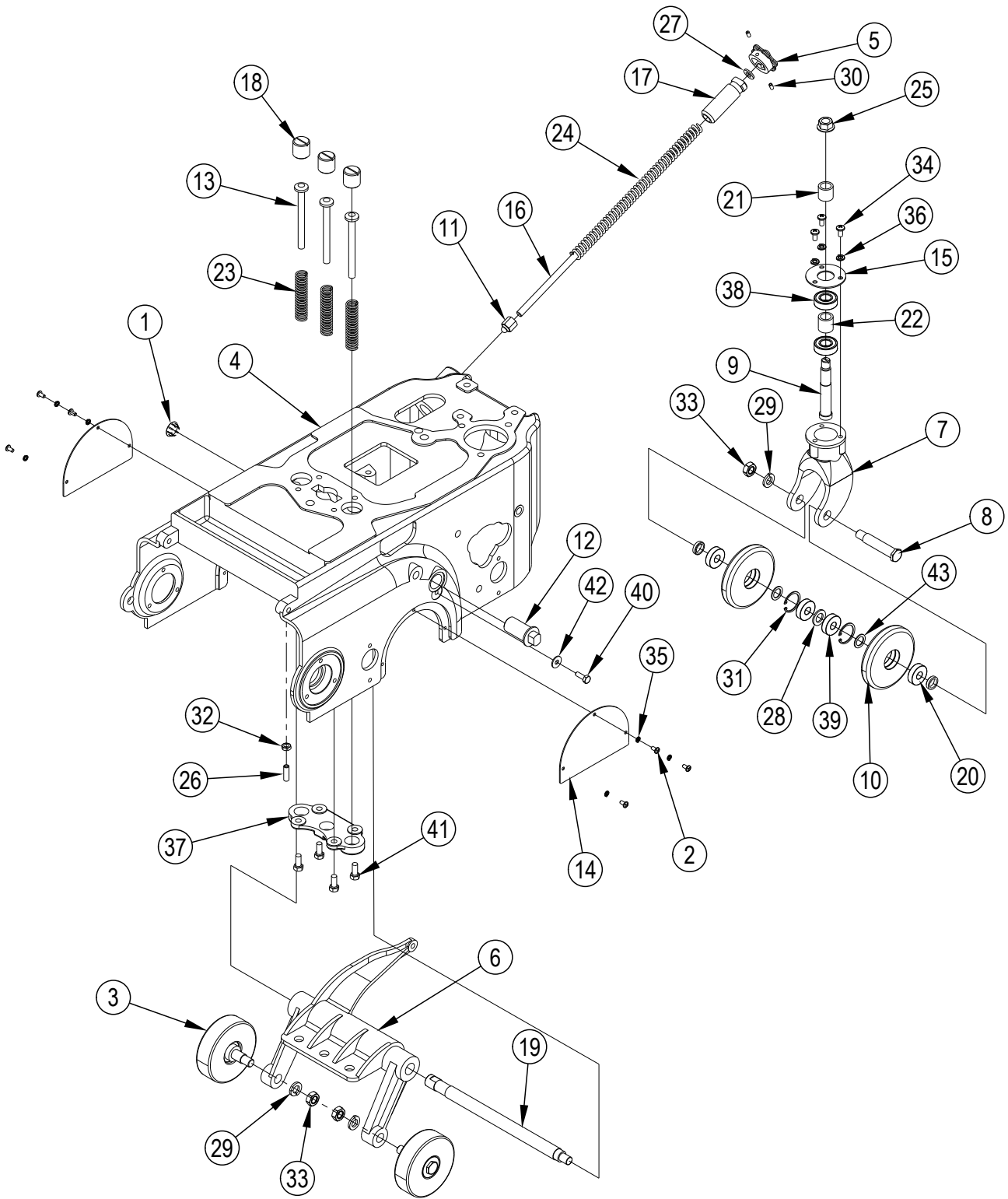
Exploded view diagram of a Dust Control Assembly (DCA) for a vehicle engine, showing various components and their assembly sequence.



DUST CONTROL ASSY

Item	Ref. No.	Qty	Description
1	920256	2	Nut, Hex Nyl Loc 5/16-18
2	925036	1	Pin-3/32x3/4 Cotter
3	20401B	1	Idler Arm Black
4	24504C	1	Fan Housing - Black
5	26102A	1	Pan-Dust
6	27801C	1	Support - Dust Pipe
7	29402A	1	Yoke
8	30501A	1	Bushing
9	34223A	1	Gasket-Support Pipe
10	34224A	1	Gasket
11	39704A	1	Washer-Felt
12	50954A	1	Bag Assy-Dust
13	60401A	1	Arm-Cable
14	61602A	1	Collar
15	62001A	1	Cap-Bearing
16	62800A	1	Pipe Assy
17	66110A	1	Pipe Assy-Dust Weldt
18	66115A	1	Plunger
19	66172A	1	Pulley Fan Am-12
20	66173A	1	Pulley Idler Am-12
21	66505A	1	Pin-Hinge Yoke
22	67413A	1	Shaft
23	67815A	1	Spacer-Bearing-Idler Pulley
24	67816A	1	Spacer
25	67908A	1	Spring
26	68002A	1	Stud
27	68101A	1	Stud
28	81202A	2	Nut 7/16-14 Hx St Lh
29	85820A	3	Screw 3/8-16 X 5/8 Hx Cap G5
30	86202A	1	Scr 5/8 -11x 5/8 St St
31	87000A	1	Washer .39x.75x.09 Flat St
32	87002A	2	Washerflat
33	877304	1	Ring Retaining Internal
34	902567	1	Bearing Balldouble Sealed
35	915028	2	Key, 1/8 X 5/8 Woodruff
36	920148	1	Nut, 3/8-16 Hex Jam
37	925044	1	Pin, Cotter-.094 X 1.00
38	962288	2	Bolt, 3/8-16 X 1.00 Hex Hd.
39	962823	3	Screw, 1/4-20 X 1/2 P.H.
40	980657	3	Washer, Lock 1/4
41	23300A	1	Fan
42	51111A	2	Bearingball
43	67424A	1	Shaft Fan
44	85816A	1	Screw, 5/16-18 X 1.75 Hex Hd
45	85817A	1	Screw 5/16-18 X 2.00 Hex Hd Gr5
46	51028A	1	Belt Fan (Models 07108A, 07109A, 07204A, 07120A)
	AS018600	1	Belt, 3V 35.5 (Model 07001A)

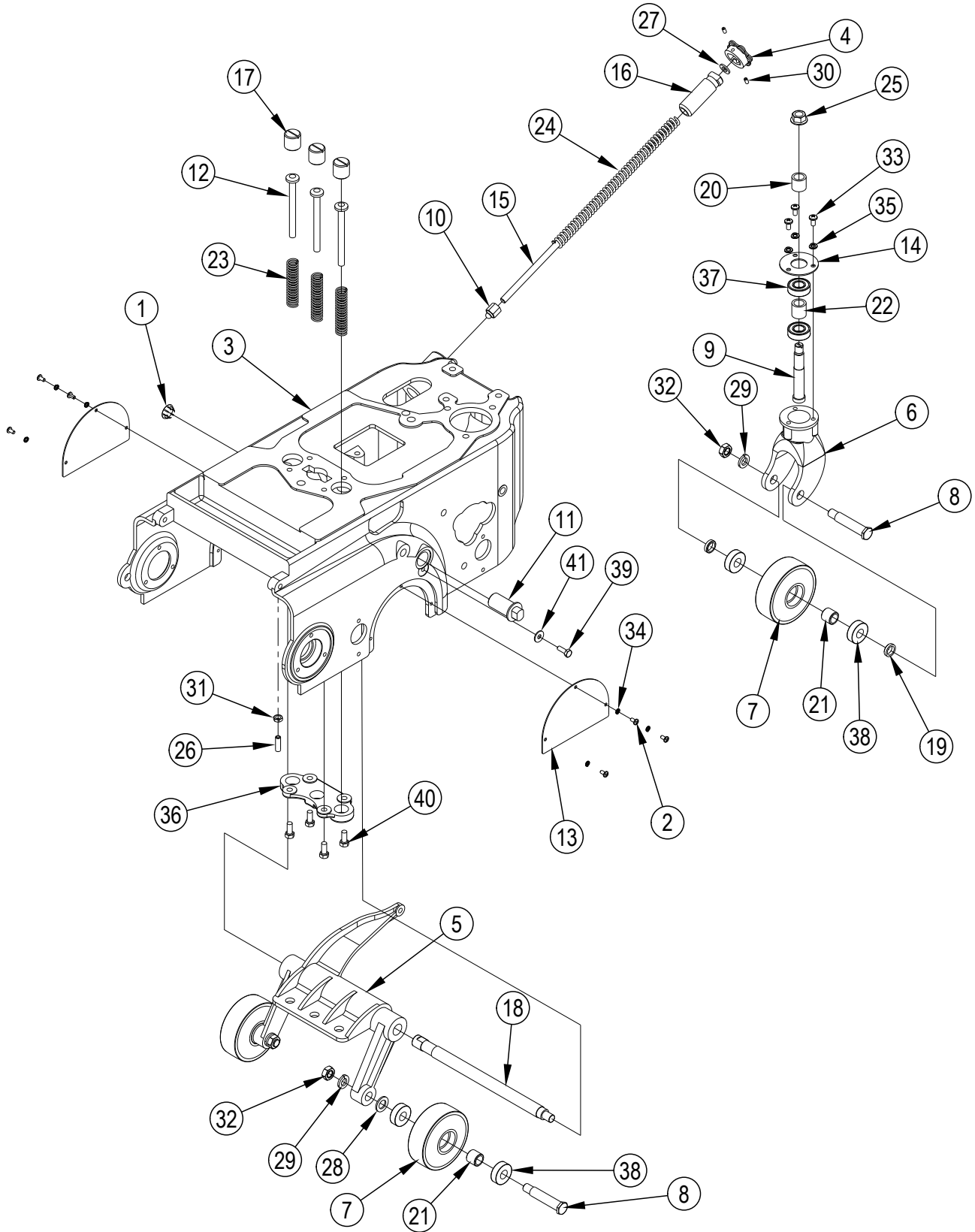
BASE ASSEMBLY



BASE ASSEMBLY

Item	Ref. No.	Qty	Description
1	501345	1	Plug Button 25/32 Fm
2	962015	6	Screw 10-24 X 3/8 Pn St Ph
3	10243A	2	Wheel Asm Urethane
4	23406A	1	Frame
5	25200C	1	Knob Hand - Black
6	25600A	1	Lever-Reach
7	29403C	1	Yoke Wheel - Black
8	60101A	1	Axle
9	60715B	1	Boltpivotamerican 8 & 12
10	61333A	2	Caster Wheel 4
11	62000A	1	Nut-End
12	62801A	1	Eccentric-Control Shaft
13	66123A	3	Plunger
14	66628C	2	Cover Truck Wheel
15	66913A	1	Retainer Bearing
16	67109A	1	Rod-Pilot
17	67309A	1	Screw Drum Pressure Adj. Ame
18	67315A	3	Scr
19	67416A	1	Shaft-Lever
20	67810A	2	Spacer
21	67814A	1	Spacer
22	67821A	1	Spacer Drum Sander
23	67906A	3	Spring American 8/12
24	67907A	1	Spring Drum Pressure America
25	81209A	1	Nut Large Flange 1/2-13
26	86201A	1	Scr 5/16-18x1 St St Cup Pt
27	87000A	1	Washer .39x.75x.09 Flat St
28	87003A	1	Washer .59x1.00x.09 Flat St
29	87101A	3	Washer Lock 1/2 Nom
30	88502A	2	Set Screw-10-24x3/8 Cone Point
31	747304	2	Rietaining Ring 1.250 Internal
32	920160	1	Nut, 5/16 Jam Hex
33	920196	3	Nut 1/2-13 Hex Jam
34	962823	3	Screw, 1/4-20 X 1/2 P.H.
35	980650	6	Washer, #10 Lock
36	980657	3	Washer, Lock 1/4
37	26502A	1	Plate, Plunger Spring
38	51112A	2	Bearing 6202
39	51226A	4	Bearing, 6202 Sealed
40	85806A	1	Screw, 1/4-20 X 3/4 Hex Sz
41	85811A	4	Screw, 5/16-18 X 3/4 Hex Hd
42	87007A	1	Washer Control Shaft
43	61355A	2	Spacer, Caster Wheel

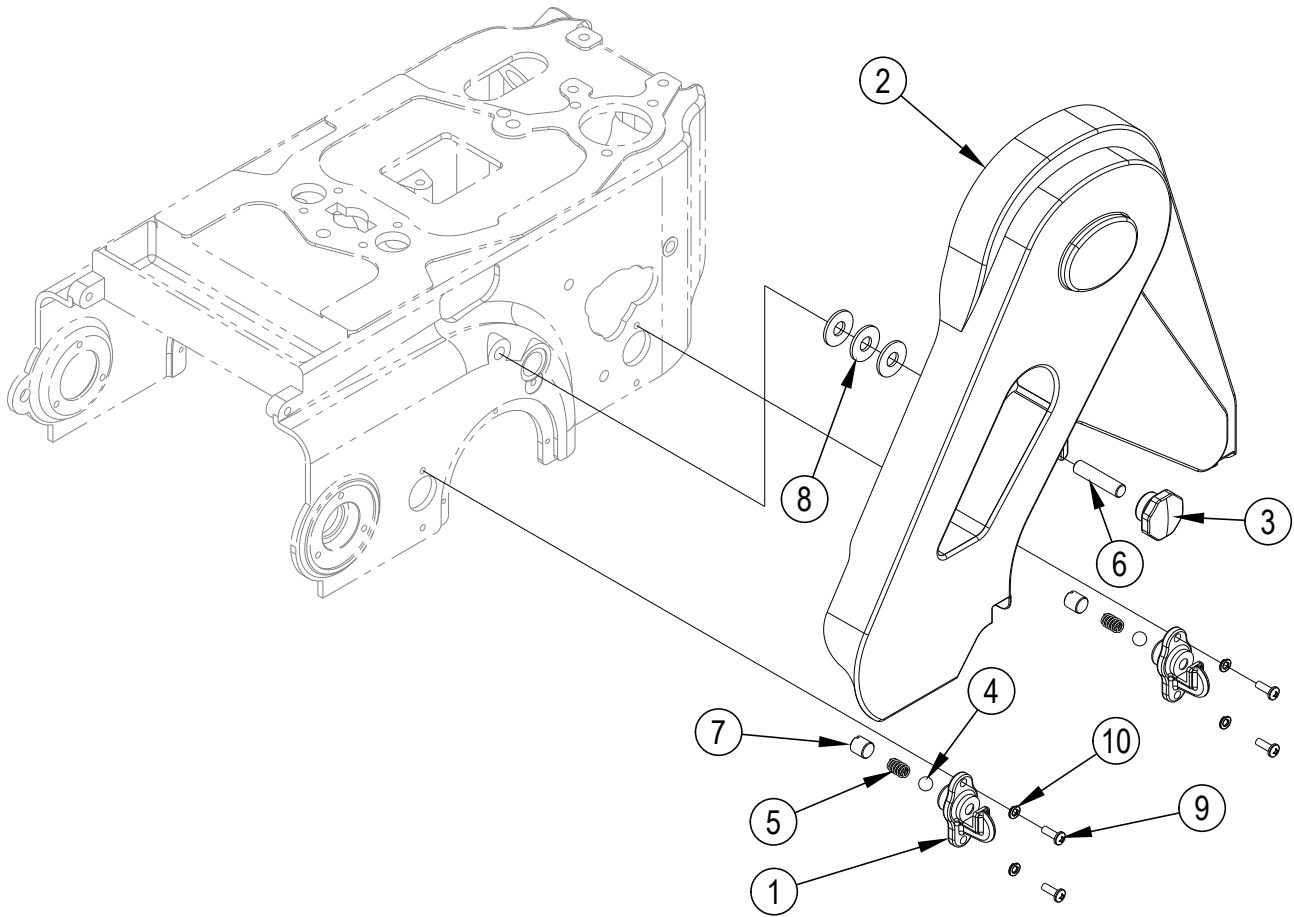
BASE ASSY [MODELS 07044C, 07049C]



BASE ASSY [MODELS 07044C, 07049C]

Item	Ref. No.	Qty	Description
1	501345	1	Plug Button 25/32 Fm
2	962015	6	Screw 10-24 X 3/8 Pn St Ph
3	23406A	1	Frame
4	25200C	1	Knob Hand - Black
5	25600A	1	Lever-Reach
6	29403C	1	Yoke Wheel - Black
7	59928A	3	Wheelsteel Am 8&12
8	60101A	3	Axle
9	60715B	1	Boltpivotamerican 8 & 12
10	62000A	1	Nut-End
11	62801A	1	Eccentric-Control Shaft
12	66123A	3	Plunger
13	66628C	2	Cover Truck Wheel
14	66913A	1	Retainer Bearing
15	67109A	1	Rod-Pilot
16	67309A	1	Screw Drum Pressure Adj. Ame
17	67315A	3	Scr
18	67416A	1	Shaft-Lever
19	67810A	2	Spacer
20	67814A	1	Spacer
21	67817A	3	Spacer
22	67821A	1	Spacer Drum Sander
23	67906A	3	Spring American 8/12
24	67907A	1	Spring Drum Pressure America
25	81209A	1	Nut Large Flange 1/2-13
26	86201A	1	Scr 5/16-18x1 St St Cup Pt
27	87000A	1	Washer .39x.75x.09 Flat St
28	87003A	2	Washer .59x1.00x.09 Flat St
29	87101A	3	Washer Lock 1/2 Nom
30	88502A	2	Set Screw-10-24x3/8 Cone Point
31	920160	1	Nut, 5/16 Jam Hex
32	920196	3	Nut 1/2-13 Hex Jam
33	962823	3	Screw, 1/4-20 X 1/2 P.H.
34	980650	6	Washer, #10 Lock
35	980657	3	Washer, Lock 1/4
36	26502A	1	Plate, Plunger Spring
37	51112A	2	Bearing 6202
38	51225A	6	Bearing Ball 6202 2rs
39	85806A	1	Screw, 1/4-20 X 3/4 Hex Sz
40	85811A	4	Screw, 5/16-18 X 3/4 Hex Hd
41	87007A	1	Washer Control Shaft

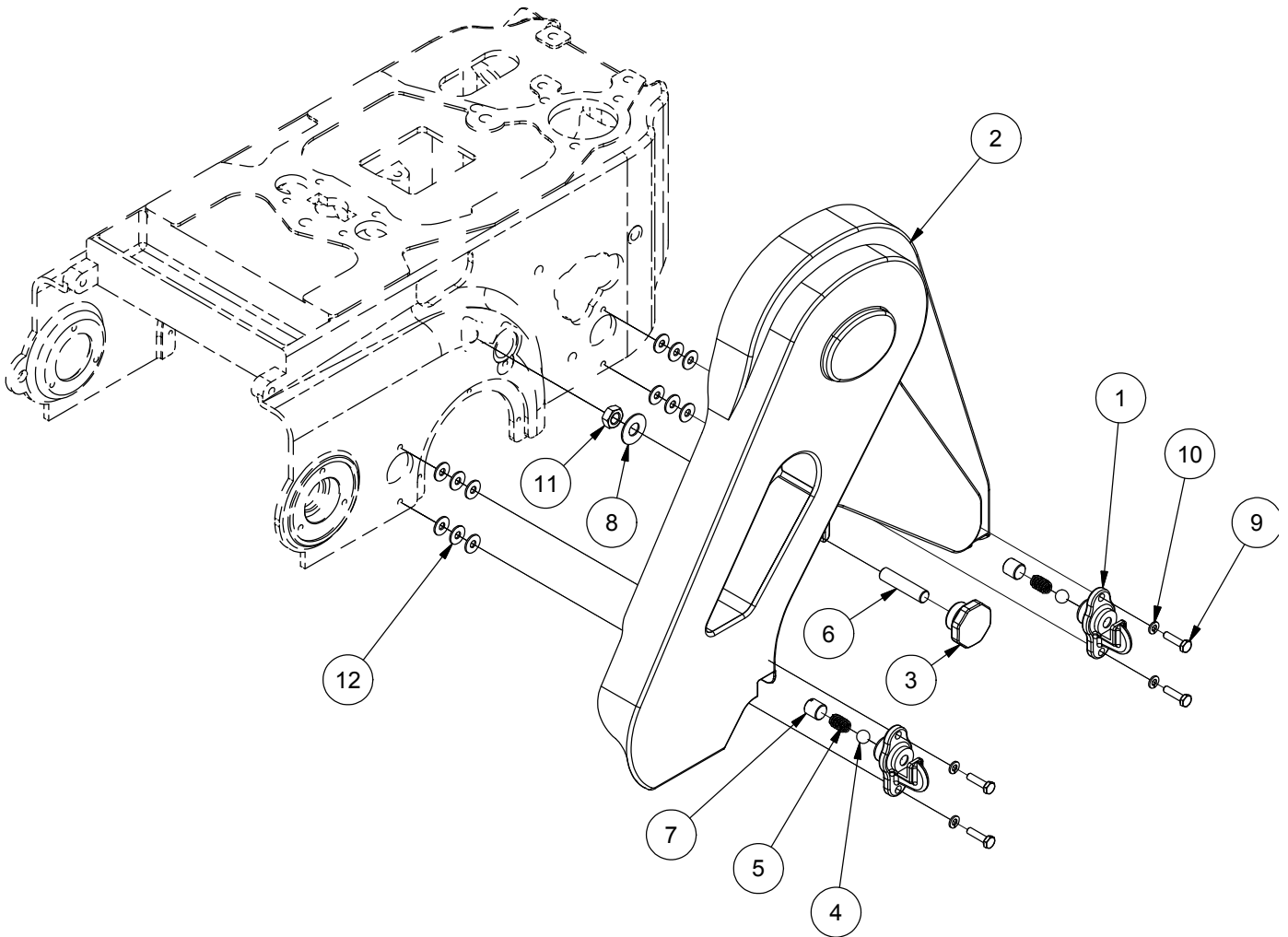
BELT GUARD ASSY [MODELS 07108A, 07109A, 07204A]



BELT GUARD ASSY [MODELS 07108A, 07109A, 07204A]

Item	Ref. No.	Qty	Description
1	21902C	2	Clamp - Belt Guard - Black
2	23801A	1	Guard-Belt Pntd
3	26000C	1	Nut - Black
4	51113A	2	Ball 1/2 C.R. Steel
5	67909A	2	Spring
6	68001A	1	Stud-Guard Belt
7	86202A	2	Scr 5/8 -11x 5/8 St St
8	87006A	3	1/2 Uss Std Flat Washer Pltd
9	962892	4	Screw 1/4-20 Unc X 3/4 Pan Head
10	980657	4	Washer, Lock 1/4

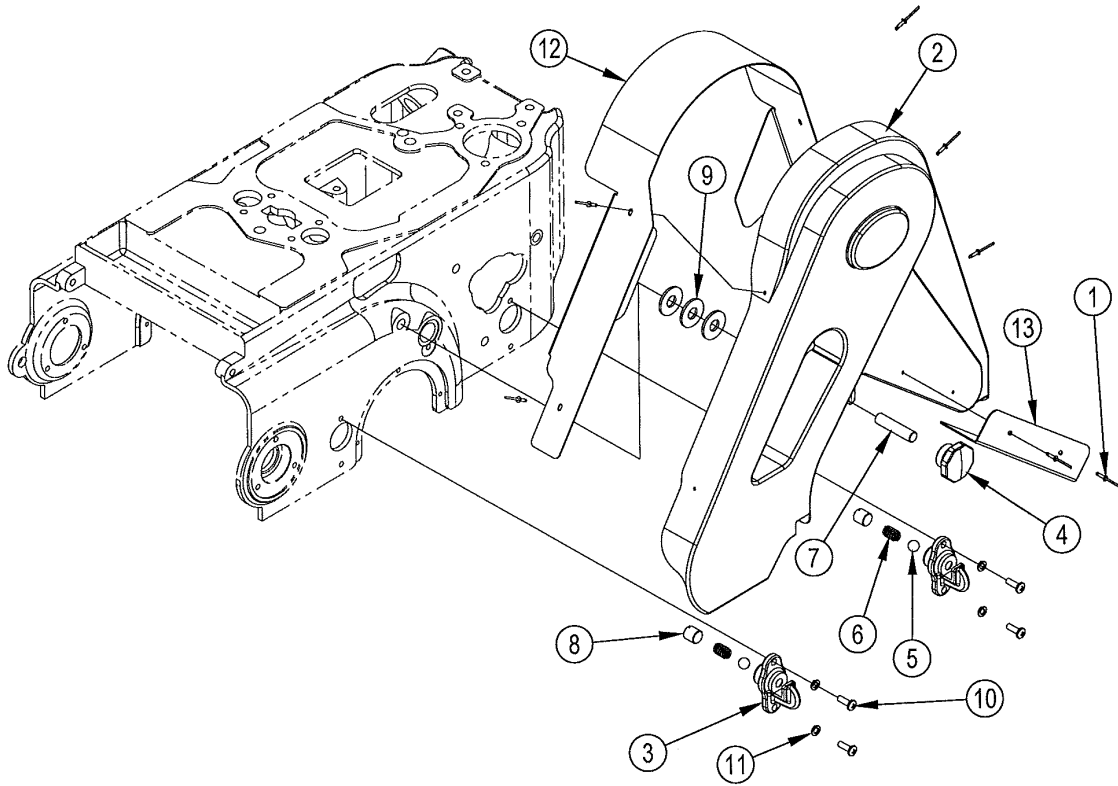
BELT GUARD ASSY [07001A]



BELT GUARD ASSY [07001A]

Parts List			
ITEM	QTY	PART NUMBER	DESCRIPTION
1	2	21902C	CLAMP - BELT GAURD - BLACK
2	1	23801A	GAURD - BELT PNTD
3	1	26000C	NUT - BLACK
4	2	51113A	BALL 1/2 C.R. STEEL
5	2	67909A	SPRING
6	1	68001A	STUD - GAURD BELT
7	2	86202A	SCREW, 5/8-11 X 5/8 ST ST
8	2	NB034600	WASHER, FLAT, 1/2", SS
9	4	85700A	SCREW, CAP, HH, 1/4-20 X 1
10	4	980657	WASHER, LOCK 1/4"
11	1	920196	NUT 1/2-13 HEX JAM
12	12	87007A	WASHER- CONTROL SHAFT ECCENTRIC

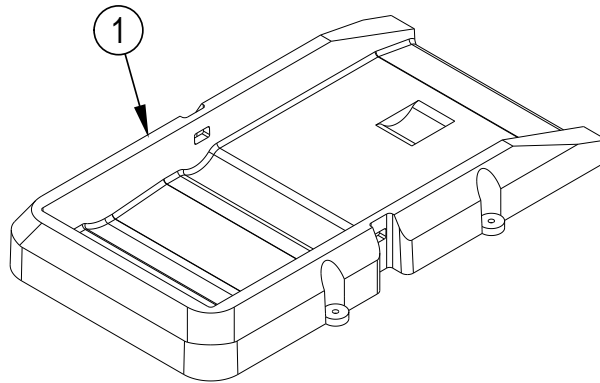
BELT GUARD ASSY [MODEL 07120A]



BELT GUARD ASSY [MODEL 07120A]

Item	Ref. No.	Qty	Description
1	930087	7	Rivet 1/8dia Usm Ad42bs
2	21097A	1	Guard Belt Am-12 Ce
3	21902C	2	Clamp - Belt Guard - Black
4	26000C	1	Nut - Black
5	51113A	2	Ball 1/2 C.R. Steel
6	67909A	2	Spring
7	68001A	1	Stud-Guard Belt
8	86202A	2	Scr 5/8 -11x 5/8 St St
9	87006A	3	1/2 Uss Std Flat Washer Pltd
10	962892	4	Screw 1/4-20 Unc X 3/4 Pan Head
11	980657	4	Washer, Lock 1/4
12	61692A	1	Shield, Upper Guard
13	61693A	1	Shield, Lower Belt Guard

ACCESSORIES

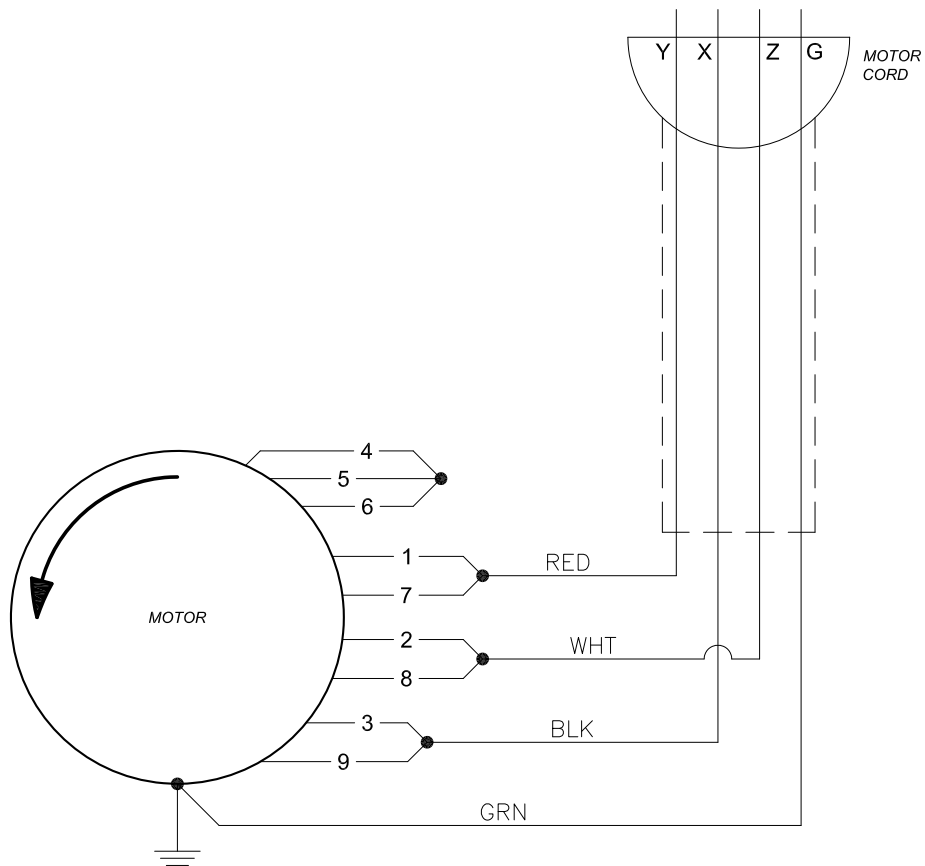
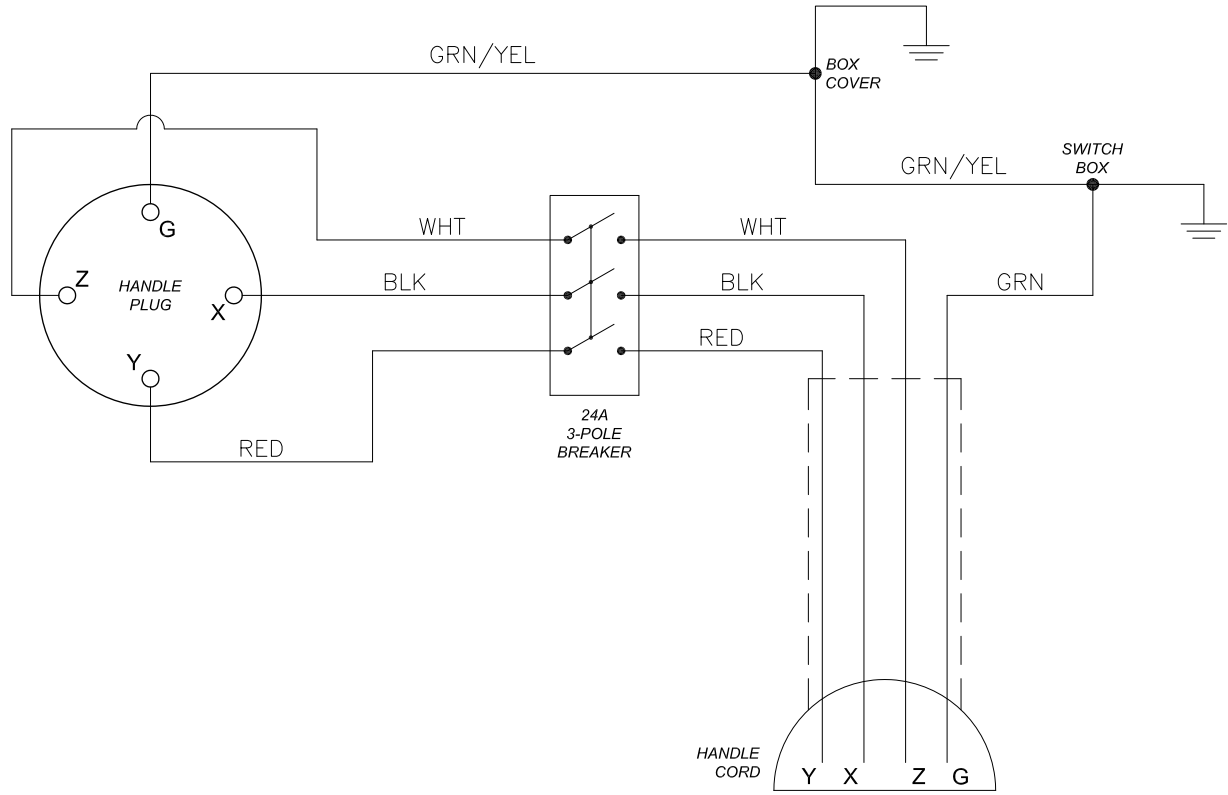


ACCESSORIES

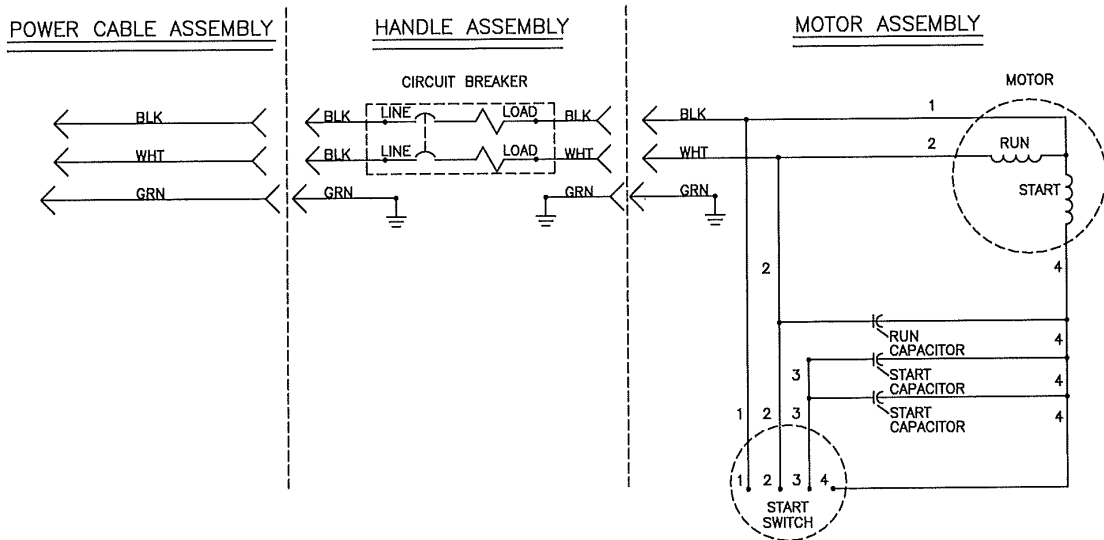
Item	Ref. No.	Qty	Description
1	30088A	1	Skid Transport
[]	60724A	1	Belt, Operating (std on models 07108A, 07109A, 07120A, 07204A)
[]	53560A	1	Leather Operators Belt
[]	59810A	1	Wrench, Paper Clamp (std on models 07108A, 07109A, 07120A, 07204A)
[]	50842A	1	Wrench, End 3/4 x 7/16 (std on models 07108A, 07109A, 07120A, 07204A, 07001A)
[]	64415A	1	Handle, Carrying (std on models 07108A, 07109A, 07120A, 07204A, 07001A)
[]	42201A	1	Cord Assembly (NEMA) (std on models 07108A, 07109A, 07204A)
[]	42200A	1	Cord Set-Hard Service
[]	68314A	1	Template (std on all models)
[]	10243A	2	Wheel Asm Urethane (std on models 07108A, 07109A, 07120A, 07204A, 07001A)
[]	56383241	3	Steel Wheel Am 8/12 Asm Kit

[] = Not Shown

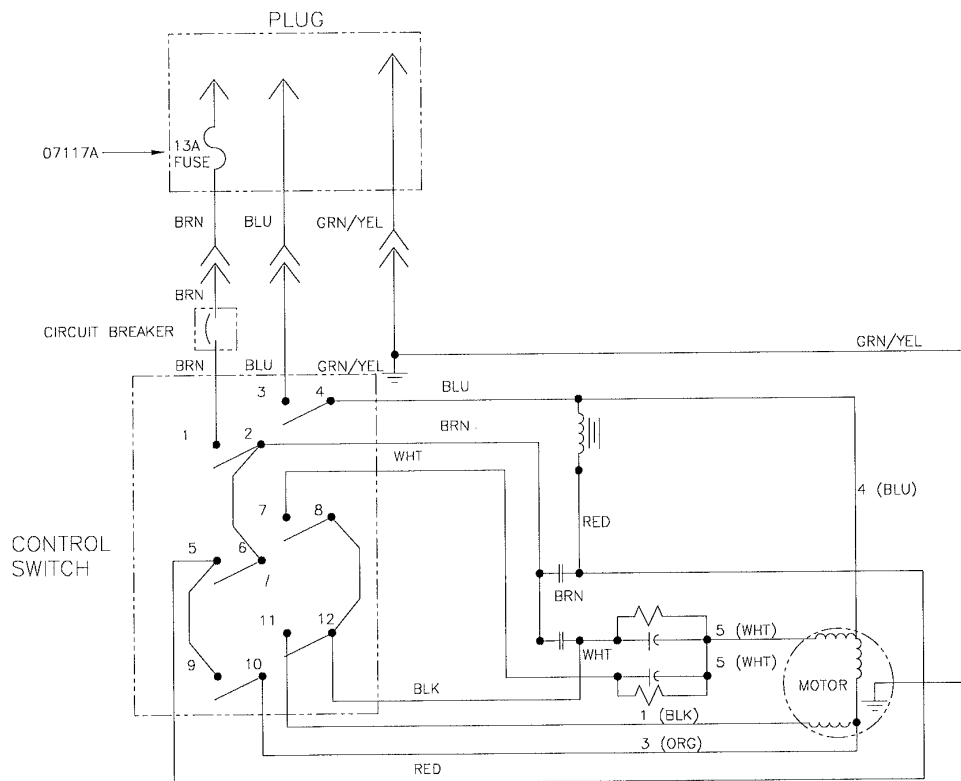
WIRING DIAGRAM Model 07001A



WIRING DIAGRAM Models 07044C, 07049C, 07108A and 07109A



Wiring Diagram [model 07120A]



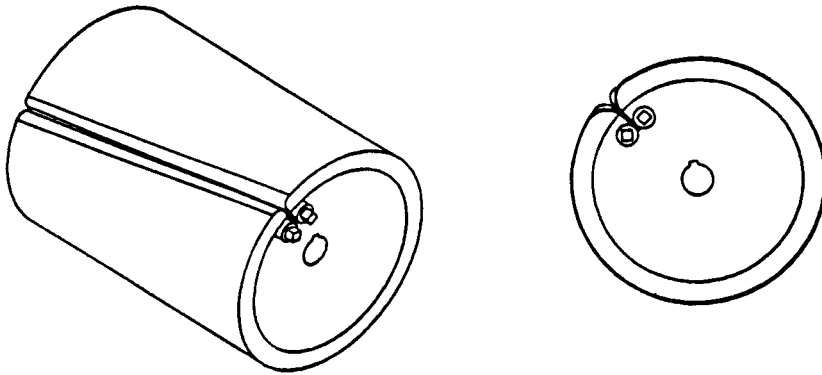
Chatter - Wave Prevention

American Sanders Sanders are designed and manufactured to the most rigid tolerances. However, after a finishing cut it is possible to see "chatter" or "waves".

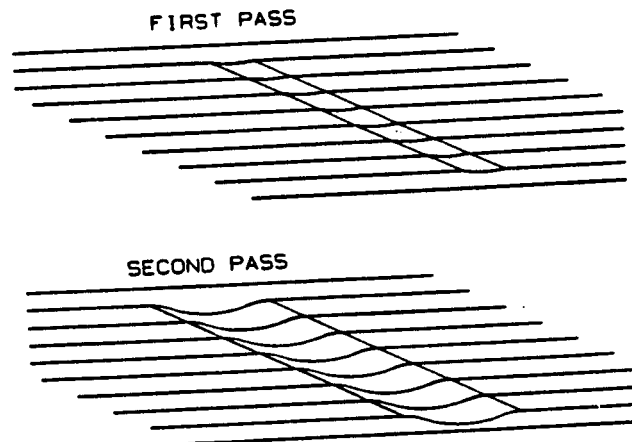
The best guarantee to remove the chatter is to finish the floor with a rotating horizontal sander, such as American Sanders's Sander 16.

To minimize chatter when using a belt or drum sander the following steps should be taken:

- 1) DRUM PAPER...insure the paper is secured in the slot, but not too tight. Paper that is too tight will force the drum slot wider, leaving a "slot mark chatter" on the floor.



- 2) DRUM MARKS.....are caused by the operator lowering the drum to the floor without forward traverse. These marks should be removed by cutting at a 45 degree angle to the mark. Cutting at the mark while maintaining the same path will only increase the mark depth and width.



Chatter - Wave Prevention

- 3) UNEVEN WALKING PACE..... can leave lengthy “waves”. The machine cuts more material during the slower pace. Pay particular attention to a steady, even pace.
- 4) EXCESSIVE LIGHT CUTS.... may reveal high spots on the paper/contact wheel and cause chatter. Take a heavier cut and increase the pace.
- 5) DEBRIS.... lodged between the paper and the drum will leave chatter. On a belt sander, debris may be adhered to the drum. Insure the drum is clean and free of debris before placing the paper on.
- 6) SANDER PAPER QUALITY....may vary. Belt seams can be thicker on low quality paper and cause chatter. Use only American Sanders specified sandpaper.

PROPER CARE OF YOUR MACHINE CAN MINIMIZE CHATTER AND WAVES.

- 1) V-BELTS.... can cause vibration and chatter if they are of low quality. Use only belts specified by American Sanders.
- 2) TRUCK AND CASTER WHEELS....with flat spots, out-of-roundness, or debris adhered to their surface can cause “waves” or a “chatter effect”. Always clean and inspect all wheels before starting to sand, and before the finish cut. Replace or true the wheels if found to be out-of-round.
- 3) DUST PICK-UP SHOES.....may need adjusted differently for different materials that are to be sanded. An improperly adjusted shoe will leave trailing debris that will be run over by the wheels and cause “random waves”.
- 4) CONTACT WHEELS (DRUMS).....may be out-of-round and cause “chatter”. Contact your American Sanders dealer for assistance to true or replace the drum.
- 5) BEARINGS.....in the motor, drum, or fan system may become worn and induce vibration which could cause “chatter”.
- 6) PULLEYS....that are damaged or severely worn can induce vibration and cause “chatter”. Contact your American Sanders dealer for assistance.

American Sanders is not responsible for rework of floors that are unacceptable to the customer. It is your responsibility to insure your equipment is in proper operating order, and that you use the right machine for the job.

Limited Warranty

American 12

TO QUALIFY FOR THIS WARRANTY

- (1) Machine must be registered within 30 days from the time of purchase on a form provided by American Sanders. Your American Sanders Distributor is responsible for the registration of your machine. Please cooperate with your Distributor in supplying necessary information on the card.
- (2) The machine must have been purchased from American Sanders or an authorized American Sanders Distributor.
- (3) This warranty extends to the original purchaser only and is not transferable to subsequent owners.

TIME PERIODS

ONE (1) YEAR WARRANTY - For the American 12 Sander. Warranted to be free from defects in material and workmanship for a period of one (1) year from the date of purchase by the original owners. (See Exclusions)

EXCLUSIONS (Not Covered by Warranty)

- (1) Expendable wear items and parts that fail through normal wear by reason of their characteristics (cords, drums, belts, wheels, bearings, filters, bags, or other consumable parts).
- (2) This warranty does not extend to parts affected by misuse, neglect, abuse, accidents, damage in transit, overloading the capacity of the machine, failure due to lack of proper maintenance or care as described in the operating and maintenance instructions. All defective parts must be returned to the distributor for credit.
- (3) Minor adjustments, such as tightening of screws or bolts not connected with the replacement of parts, are not covered.
- (4) Repairs or alterations by an organization other than the factory or an Authorized Service Center are not covered and will void any American Sanders warranty as to the parts or systems repaired or altered by a non-authorized organization.

THE OBLIGATION OF AMERICAN SANDERS

- (1) The obligation of American Sanders under this warranty is limited to repairing or replacing, at its option, any part which is proven to be defective in material or workmanship under normal use for the applicable period stated above.
- (2) Warranty repairs will be made by your American Sanders Distributor without charge for parts and labor. They will be compensated with a warranty labor rate of \$45.00 per hour, for the first year of ownership.
- (3) Parts repaired or replaced under this warranty are warranted only during the balance of the original warranty period. All defective parts replaced under these warranties become the property of American Sanders.

WARRANTY SERVICE

To obtain warranty service, take your machine and proof of purchase to any authorized American Sander Distributor. American Sanders will not reimburse expenses for service calls or travel. For the Distributor in your area, call American Sanders Customer Service Department at 800-367-3550 or 336-372-8080. If you are dissatisfied with the service that you receive, call or write American Sanders Customer Service Department for further assistance.

INSTRUCTIONS AND CONDITIONS FOR WARRANTY REIMBURSEMENT

- Order replacement part: Orders will be processed and charged, as normal procedure.
- Call American Sanders for R/A number.
- You will need the Machine Serial Number and the Machine Model Number.

- Parts must be returned, accompanied with the R/A number to be eligible for warranty credit.
- All Warranty Parts will be shipped prepaid UPS Ground, any other method will be at the recipients expense.
- Freight on any Warranty Part after 30 days must be paid for by the Purchaser.
- Warranty labor rate is \$45.00 per hour.
- Credit will be issued upon completion of the above steps, at the above rates.

Transportation of hazardous waste or contaminated equipment is subject to various laws and regulations. In returning machines, parts, or accessories under this limited warranty, the end user must certify in writing that the machines, parts, or accessories being returned have not been used for handling, clean up, or disposal of hazardous waste or hazardous materials including but not limited to such things as asbestos, anthrax etc. or if the machines, parts, or accessories being returned have been used for handling, clean up, or disposal of hazardous waste or hazardous materials, then the end user must have the machines, parts or accessories decontaminated by licensed and qualified decontamination professionals and provide written certification of this decontamination signed by the decontamination professionals. These machines, parts or accessories are to be returned only to the local American Sanders Service Center for warranty service along with decontamination certification.

DISCLAIMER OF CONSEQUENTIAL

THERE ARE NO WARRANTIES THAT EXTEND BEYOND THE DESCRIPTION OF THE LIMITED WARRANTIES STATED WITHIN. NO OTHER WARRANTY, EXPRESSED OR IMPLIED, INCLUDING BUT NOT LIMITED TO ANY IMPLIED WARRANTY OF MERCHANTABILITY OR FITNESS FOR A PARTICULAR PURPOSE, IS MADE EXCEPT AS EXPRESSLY STATED HEREIN. ANY STATUTORY IMPLIED WARRANTIES, INCLUDING ANY WARRANTY OF MERCHANTABILITY OR FITNESS FOR A PARTICULAR PURPOSE, THAT ARE IMPOSED BY LAW DESPITE THE EXPRESS LIMITATION OR WARRANTIES ABOVE, ARE EXPRESSLY LIMITED TO THE DURATION OF THE WRITTEN WARRANTY. BUYER UNDERSTANDS, ACKNOWLEDGES AND AGREES THAT THE REMEDIES PROVIDED UNDER THIS LIMITED WARRANTY ARE THE SOLE AND EXCLUSIVE REMEDIES AVAILABLE TO THE BUYER. AMERICAN SANDERS DISCLAIMS ANY RESPONSIBILITY FOR LOSS OF USER TIME OF THE AMERICAN SANDERS MACHINE OR ANY OTHER INCIDENTAL OR CONSEQUENTIAL DAMAGES. THIS INCLUDES, BUT NOT LIMITED TO INDIRECT, SPECIAL OR CONSEQUENTIAL DAMAGES ARISING OUT OF OR IN CONNECTION WITH THE FURNISHING, PERFORMANCE, USE OF OR INABILITY TO USE THE MACHINE. ANY EXTENSIONS OF OR MODIFICATIONS MADE TO THIS WARRANTY BY A DEALER/DISTRIBUTOR OF AMERICAN SANDERS ARE THE SOLE RESPONSIBILITY OF THE DEALER/DISTRIBUTOR.

American Sanders reserves the right to change its warranty policy without notice.

Copyright 2017 American Sanders



American Sanders
an AMANO Company

1 Eclipse Rd ● PO Box 909
Sparta, North Carolina 28675 ● USA
www.pioneereclipse.com
www.americansanders.com

+1-336-372-8080
1-800-367-3550
Fax 1-336-372-2913