



# Bona Adhesives

A Complete Adhesive System  
for any type of Installation

**Bona**<sup>®</sup>



# An Adhesive System you can count on



Good flooring professionals know that the choice of adhesive system is critical for a floor that will last. You can count on Bona adhesives to do just that.

Bona Silane adhesives are so easy and reliable that you will never have to worry about an installation again. They ensure excellent adhesion to the substrate and help prevent moisture transfer.

Bona have been working with timber floor adhesive systems for over 50 years and are a major worldwide supplier of reactive silane adhesives. These adhesives contain no solvent or water and react with moisture taken from the timber, substrate or the air to cure. Unlike solvent based polyurethane adhesives they contain no isocyanate compounds. Over 40 million m<sup>2</sup> of flooring has been laid using the Bona Silane adhesive system.

- Solvent free (no fumes) - zero VOC's
- Silane technology - Isocyanate free
- Easy to use, long-term results
- Can protect up to 95% moisture content\*
- Classified as non-hazardous material
- Easy clean up, will not stain floors or hands
- Fast and simple application
- Use with concrete or timber sub floors
- Excellent green grab and short cure time
- Start sanding in 24hrs or less

*\* Used with Trowel Plus System*

# The right choice for every installation

The Bona Adhesive system allows you to assess the installation and choose a suitable moisture barrier and adhesive combination. Simply make your choice based on the moisture content of the substrate and your preferred installation method.

Bona has options to suit every project, with 2 types of moisture barrier and 2 adhesives available. Just select which product and application method best suits the job. For some floors, rather than apply a separate moisture barrier, simply use a thicker layer of adhesive as a combined all-in-one moisture barrier/adhesive system. The time savings of not having to apply separate layers and wait for products to dry, can be a more economical and practical solution.



## A system to suit all moisture levels

Selecting the right moisture barrier and adhesive combination is one of the biggest factors in a successful installation. The Bona system allows you to decide on a treatment schedule appropriate for the level of moisture in the substrate.

Concrete moisture content (RH)	Adhesive	Moisture Barrier / no. of applications	
< 80%	Bona <b>R848T</b> or <b>R820</b> standard application	Not required	
80% - 90%	Bona <b>R848T</b> or <b>R820</b> standard application	Bona <b>R410</b> Bona <b>R540</b>	1 coat
	Bona <b>R848T</b> applied using Bona Trowel Plus*	Not required	
90% - 95%	Bona <b>R848T</b> or <b>R820</b> standard application	Bona <b>R410</b> Bona <b>R540</b>	2 coats
	Bona <b>R848T</b> applied using Bona Trowel Plus*	Not required	

\* Application using Bona Trowel Plus allows a double thickness application ensuring complete coverage of the concrete floor surface with a moisture barrier and maintaining a rib structure for adhesion. The product quantity required per m<sup>2</sup> with this method is broadly double that of a standard application to ensure sufficient thickness (approx. 1.7 - 2 kg / m<sup>2</sup>). If in doubt regarding the moisture content use a higher specification.

# Bona Moisture Barriers

When used in conjunction with Bona adhesives R848T or R820, Bona moisture barriers provide protection against moisture vapour migration up to 95% RH. Bona offers either a 1 component polyurethane or a 2 component epoxy option. Simply choose the product that suits your preferred installation. Using a moisture barrier from the Bona system gives you peace of mind and ensures long term reliability.

## Bona R410 Moisture Barrier

### Features and benefits

- 2 component epoxy resin moisture barrier
- Solvent free, uncoloured
- Easy application with 6mm roller
- Primer for absorbent substrates
- Excellent adhesion
- 1 or 2 coat application – depending on moisture content of the substrate
- Short over-coating time: 2 – 3 hours
- Timber may be installed after 12 hours using Bona R848T or Bona R820



Available in 5kg Pack

## Bona R540 Moisture Barrier

### Features and benefits

- 1 component polyurethane resin moisture barrier
- Single pack ready-to-use with minimal wastage
- Water and solvent free
- Easy application with 6mm roller
- Primer for absorbent substrates
- High penetration, excellent adhesion
- 1 or 2 coat application – depending on moisture content of the substrate
- Short over-coating time: 3 – 4 hours
- Timber may be installed after 24 hours using Bona R848T or Bona R820



Available in 6kg Pack

# Bona Adhesives

Play safe and choose Bona Silane adhesives for a floor that will last generations. Bona adhesives are premium and proven for solid timber floors including overlay, parquetry and all types of engineered flooring. With the right combination of strength and flexibility Bona adhesives ensure a more stable floor. So you can always be assured of the long-term reliability of Bona adhesives.

Bona R848T and R820 can be used with a moisture barrier, or in the case of R848T as a single application combined moisture barrier/adhesive using the Bona Trowel Plus system. Bona Silane adhesives are easy to use, clean to work with and have rapid initial bond strength. To shorten the setting time even further, it is possible to spray lightly with water across the applied adhesive and then re-trowel before laying.

## Bona R848T Adhesive

### Features and benefits

- One component silane-based adhesive
- Water and solvent free
- Classified non-hazardous - zero VOCs
- Will not stain hands – easy clean up
- Fast setting with rapid initial bonding strength
- Excellent rib stability
- 9kg Sausage for use with OptiSpread UX applicator
- Combined moisture barrier / adhesive application possible
- Protects to 90% moisture content
- Will not mark pre finished floors

Available in 15kg Tub and 9kg Sausage



## Bona R820 Adhesive

### Features and benefits

- One component silane-based adhesive
- Water and solvent free
- Classified non-hazardous - zero VOCs
- Will not stain hands – easy clean up
- Excellent rib stability
- Will not mark pre finished floors
- Fast setting with rapid initial bonding strength
- Ideal for engineered timber floors

Available in 15kg Tub



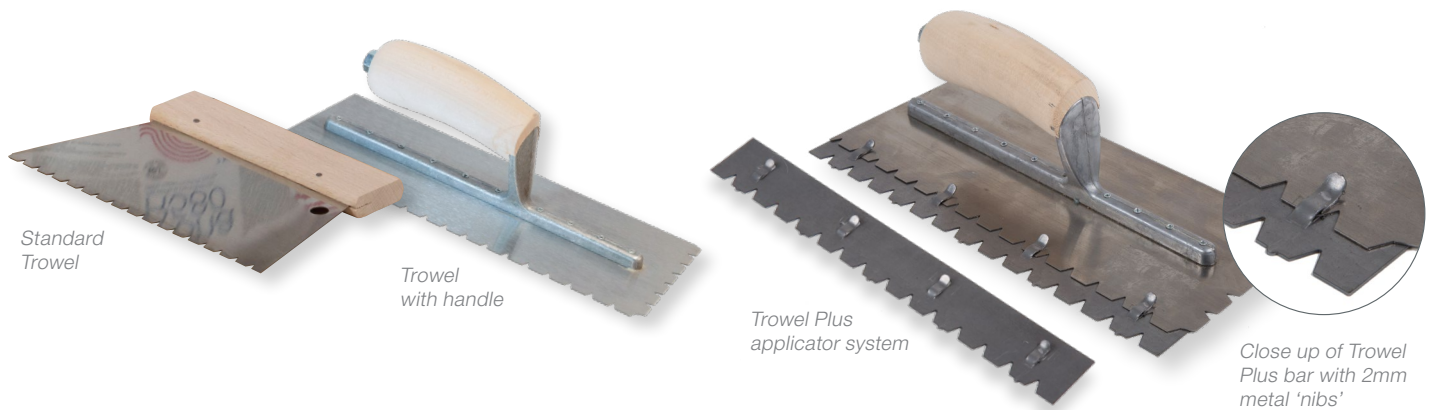
# Application

## Trowel System

Standard Trowels can be used for normal application or the Trowel Plus system can be used for a combined moisture barrier/adhesive application.

The Bona Trowel Plus system has been developed specifically for applying a thicker layer of R848T adhesive in a single application to function as a combined moisture barrier/adhesive. The Trowel Plus bar attaches to the standard trowel and ensures that a consistent layer of adhesive is left on the floor as a moisture barrier, with a well-defined rib pattern on top to function as the adhesive. This is achieved by additional 2mm metal 'nibs' on the bottom of the bar.

Approximately double the quantity of adhesive is required for this system, however the time and labour cost savings can be significant as only a single application is needed.



## OptiSpread UX

The Bona OptiSpread UX is an innovative solution to applying flooring adhesive that allows you to remain upright whilst applying the adhesive providing smoother, faster and better results.

The redesigned Bona OptiSpread UX provides powerful adhesive application in an updated design package with top end quality and efficiency.

The Optispread UX is powered by a cordless rechargeable battery pack that allows adhesive application to be completed up to 5 times quicker, without any strain on your knees or back, making the laying of a floor a more enjoyable, faster and cleaner process.

The OptiSpread UX is for use with the 9kg sausage of Bona R848T silane based adhesive.

### Features and benefits

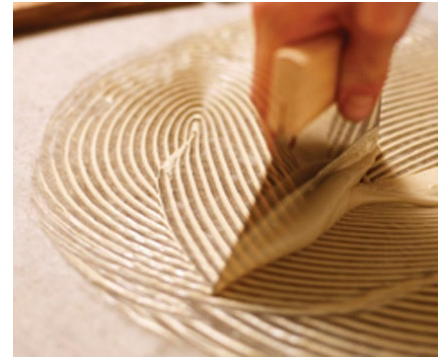
- Improved UX design with lower weight
- Fast, ergonomic, and clean adhesive application
- Hard coated anodized aluminum tube
- Variable head widths
- Powerful Bosch 18.8V drive



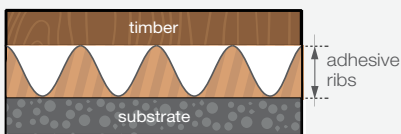
# Choose the application method which suits you best

The Bona adhesive system can be used across a variety of application methods to suit your project. Simply select the trowel or Optispread, and product/s for either combined application, or separate moisture barrier and adhesive layers.

- Use either Standard Trowel or Trowel Plus
- Use OptiSpread applicator
- Save time with combined application
- Choose separate moisture barrier if needed

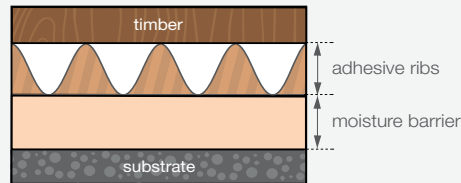


## Standard



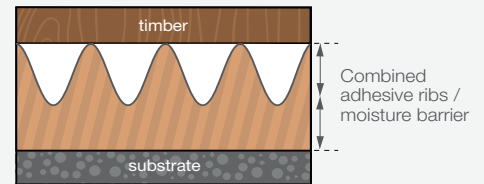
*Adhesive layer only application*

## Moisture Barrier & Adhesive



*Separate moisture barrier and adhesive application*

## Combined Moisture Barrier



*Combined application with Trowel Plus*

# Consumption rates

Bona provides guidelines for economical consumption rates which optimise the performance of adhesive used. It is important that the application rate of the adhesive is correct for the flooring being installed as different sizes and types of timber will produce varying amounts of stress.

Detailed in the table is an outline of the suggested coverage rate for common timber types and sizes. Correct coverage rates and an even spread of adhesive with the correct trowel size ensures a reliable end result. Where required, weigh timber down to ensure no hollow spots remain.

Timber should always be installed at the correct moisture content and in accordance with current Australian standards.

Type & Size	Dimensions	Coverage R848T / R820 m <sup>2</sup>
Overlay	12mm x up to 86mm 14mm x up to 130mm	1000g per m <sup>2</sup>
Secret nail profile	80 x 19mm	Nailed & glued: 850g per m <sup>2</sup> Glued only: 1250g per m <sup>2</sup>
Top nail profile	180 x 21mm 130 x 19mm	Bead application along joists or battens
Acoustic matting*		850g per m <sup>2</sup>

\* Tests should be carried out to ensure suitability of the adhesive and matting in combination.

# Over 40 Million square metres of Timber Floors installed Worldwide

Using the latest silane technology, Bona Adhesives provide outstanding performance to a variety of surfaces and allow for the natural movement of the timber flooring while still remaining firmly adhered to the sub floor. Bona Adhesives contain no Isocyanates, have zero Volatile Organic Compounds (VOC's) and are safe and easy to use.

Bona products are used in over 90 countries worldwide and are the No1 choice for professional flooring contractors. Bona is the market leader in non-toxic timber floor finishes globally and have been dedicated experts in timber flooring products since 1919.



For further information on Bona Adhesives  
visit [bona.com.au](http://bona.com.au) or call **1300 882 806**

**Bona**<sup>®</sup>  
Passion for timber floors

Distributed in Australia by



Adelaide | Brisbane | Melbourne | Perth | Sydney